

Circuit Diagram

iR8500 Series

Canon

IMPORTANT

This documentation is published by Canon Inc., Japan, to serve as a source of reference for work in the field.

Specifications and other information contained herein may vary slightly from actual machine values or those found in advertising and other printed matter.

Any questions regarding the information contained herein should be directed to the Copier Service Department of the Sales Company.

This documentation is intended for all sales areas, and may contain information not applicable to certain areas.

Reproduction without permission not allowed.

Use of this manual should be strictly supervised to avoid disclosure of confidential information.

COPYRIGHT 2001 CANON INC.

Printed in Japan

Caution

Use of this manual should be strictly supervised to avoid disclosure of confidential information.

Contents

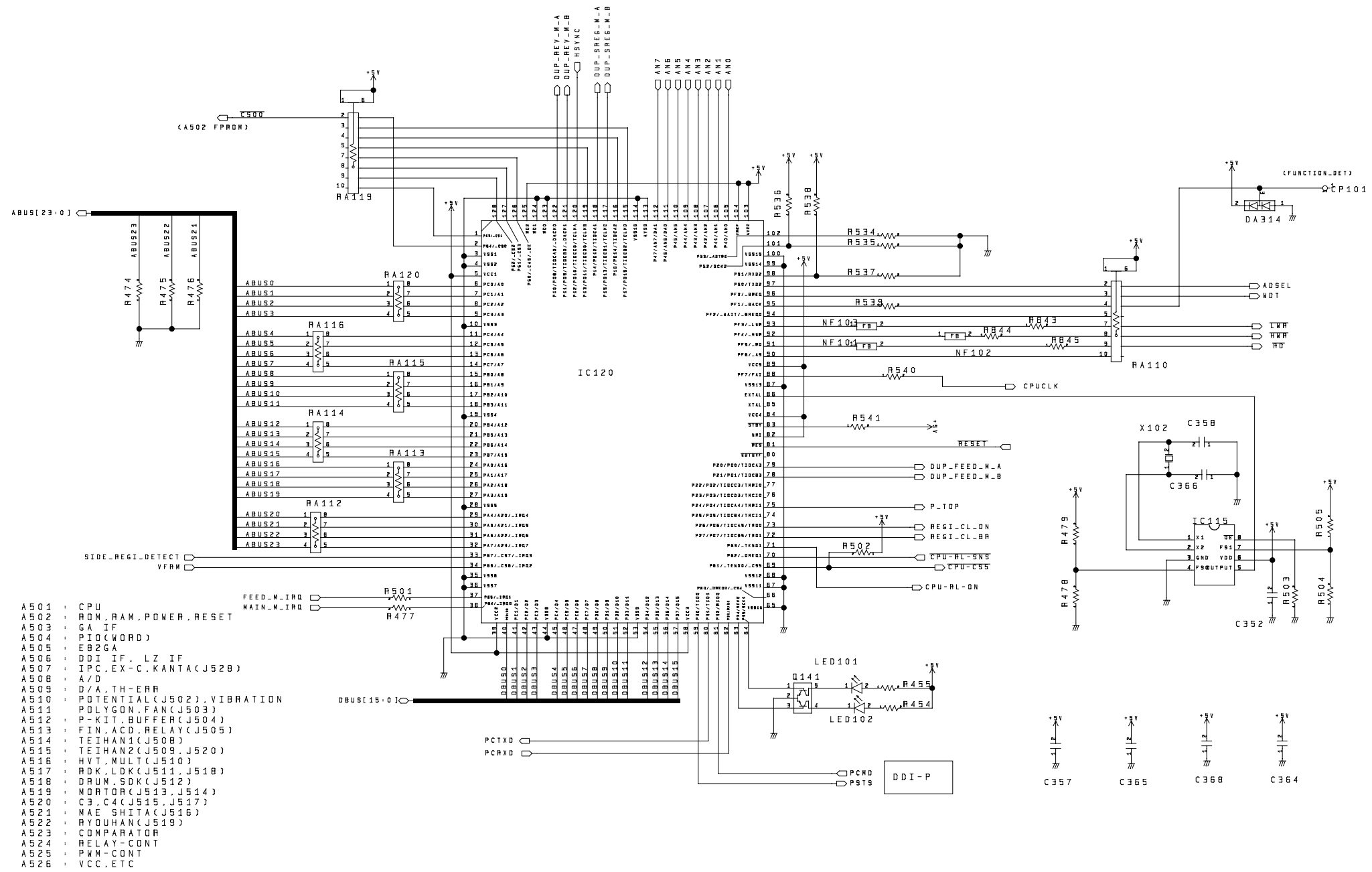
1 Controller.....	1
DC controller PCB	1
Reader Controller PCB.....	26
2 Reader unit	39
Analog Processor PCB	39
3 Printer unit.....	45
AC Driver PCB	45
HVT PCB	46
Control Panel CPU PCB	53
Panel Switch PCB	56
DC Power Supply PCB	57

1 Controller

DC controller PCB

DC CONTROLLER PCB(1/26)

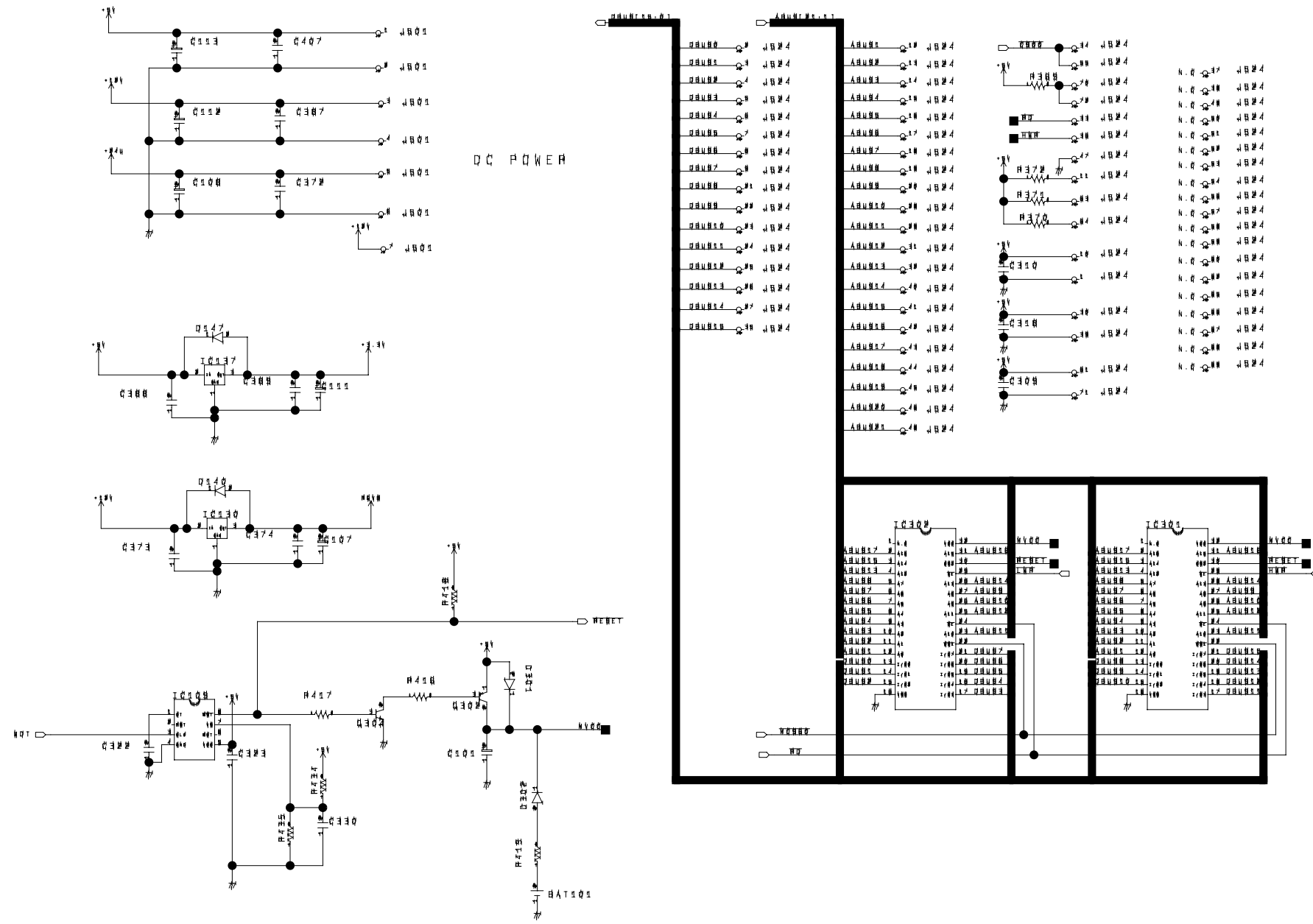
iR105i/iR105+ / iR9070



F-1-1

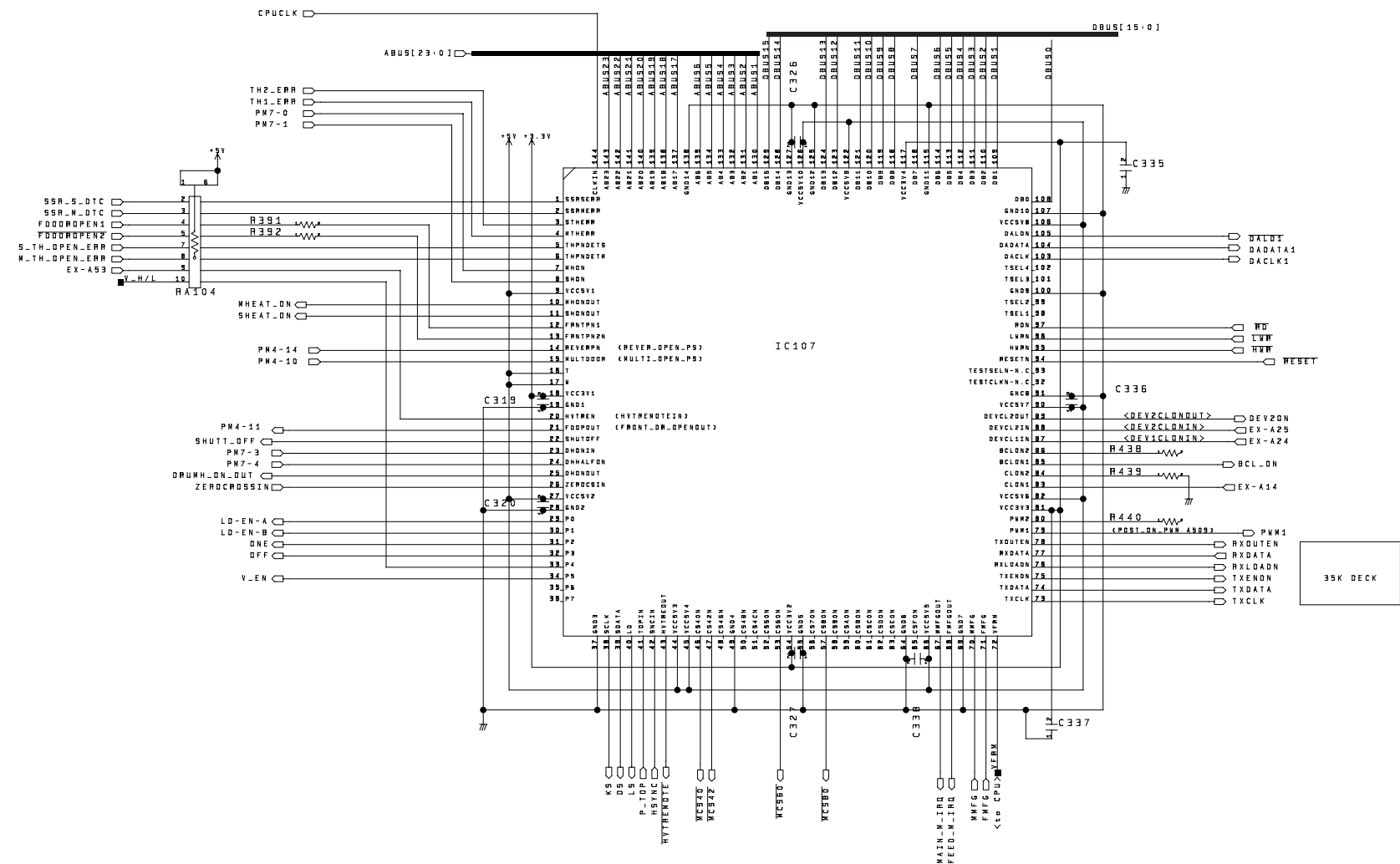
DC CONTROLLER PCB(2/26)

iR105i/iR105+ / iR9070



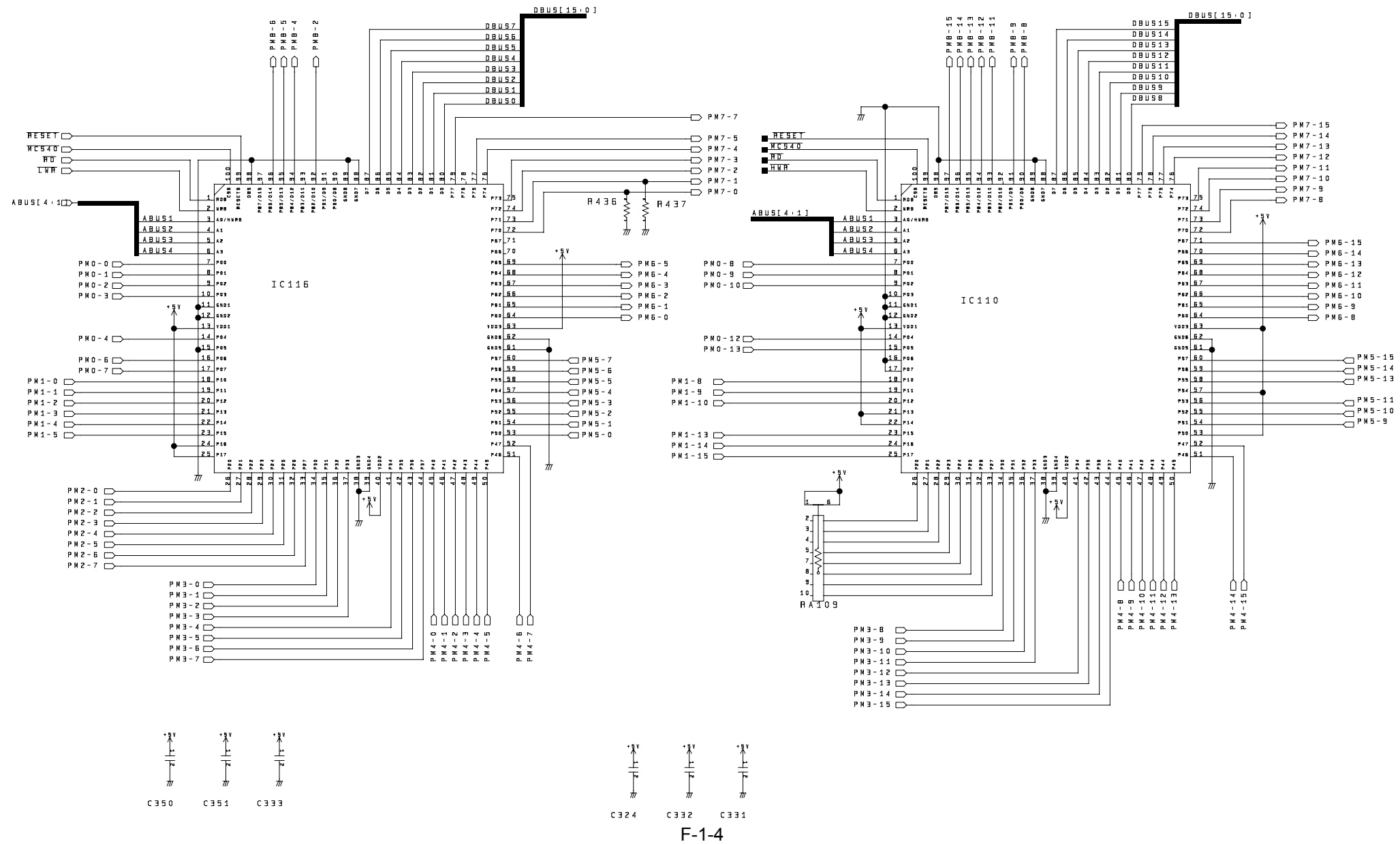
F-1-2

DC CONTROLLER PCB(3/26)
iR105i/iR105+ / iR9070

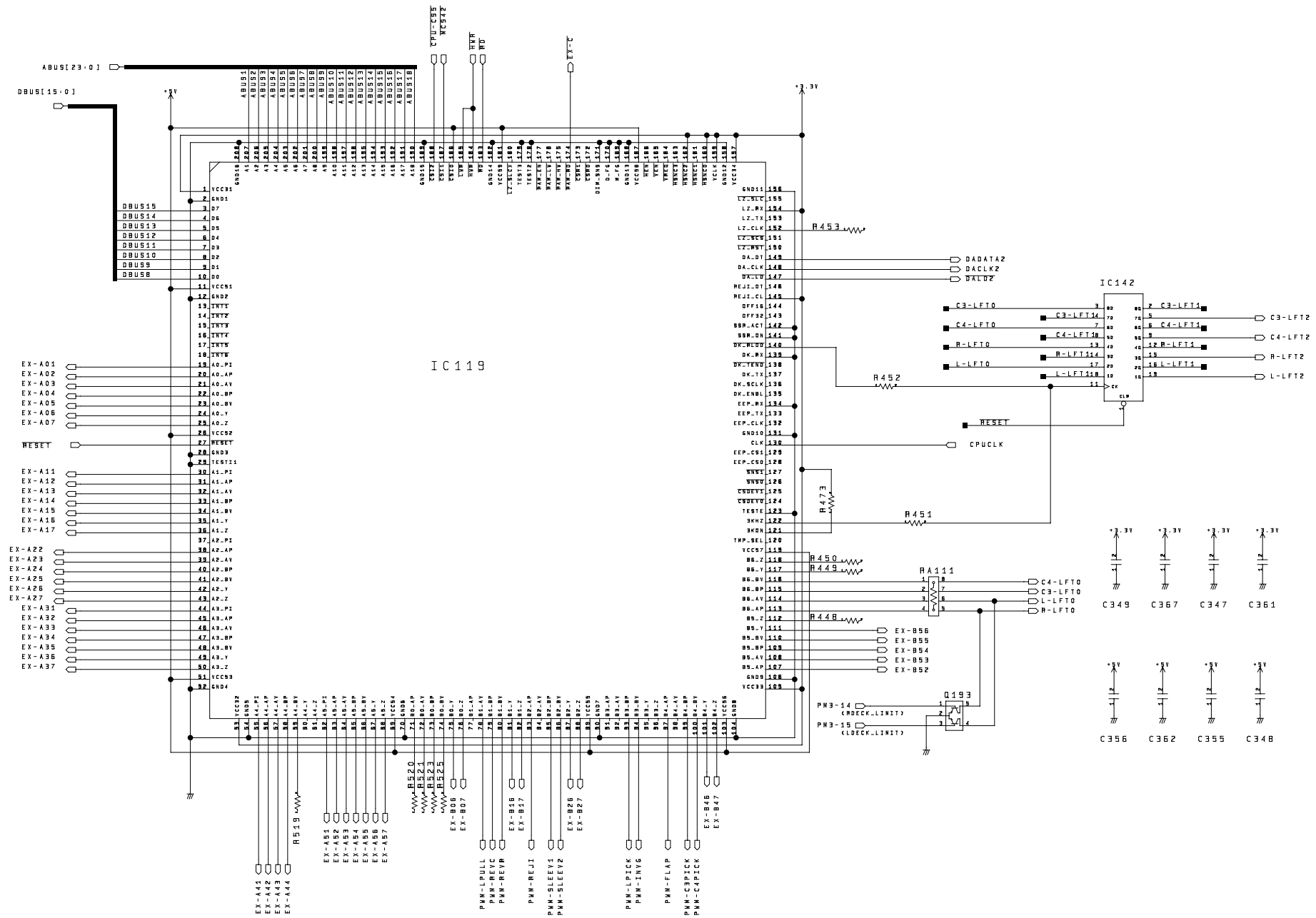


F-13

DC CONTROLLER PCB(4/26)
iR105i/iR105+ / iR9070

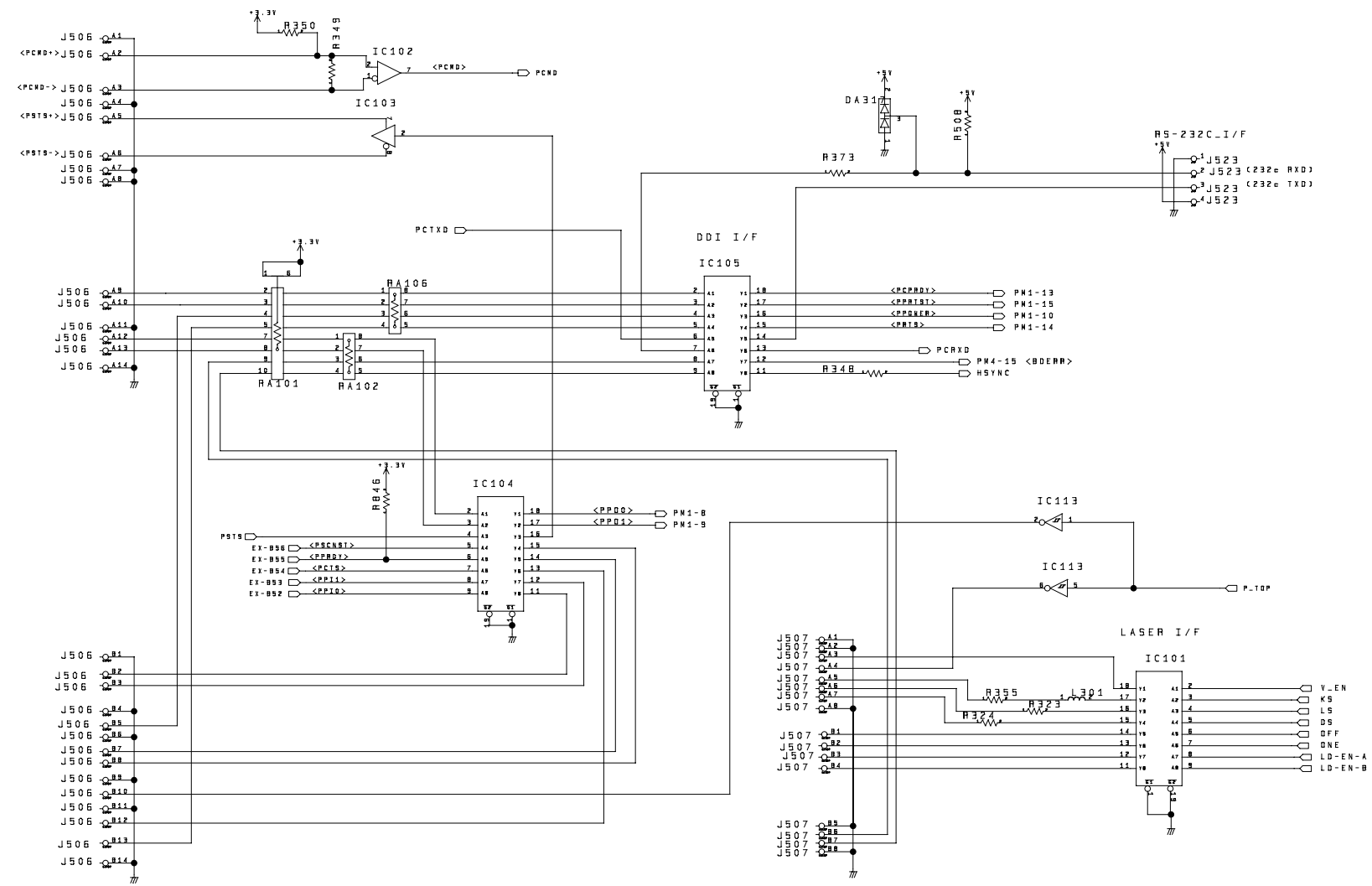


DC CONTROLLER PCB(5/26)
iR105i/iR105+ / iR9070



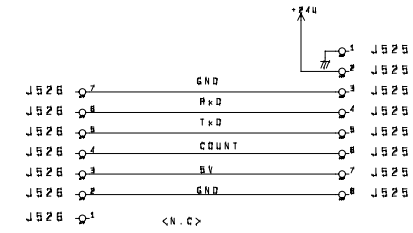
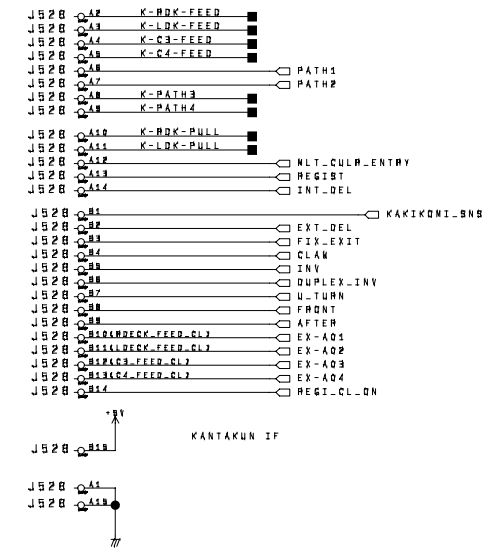
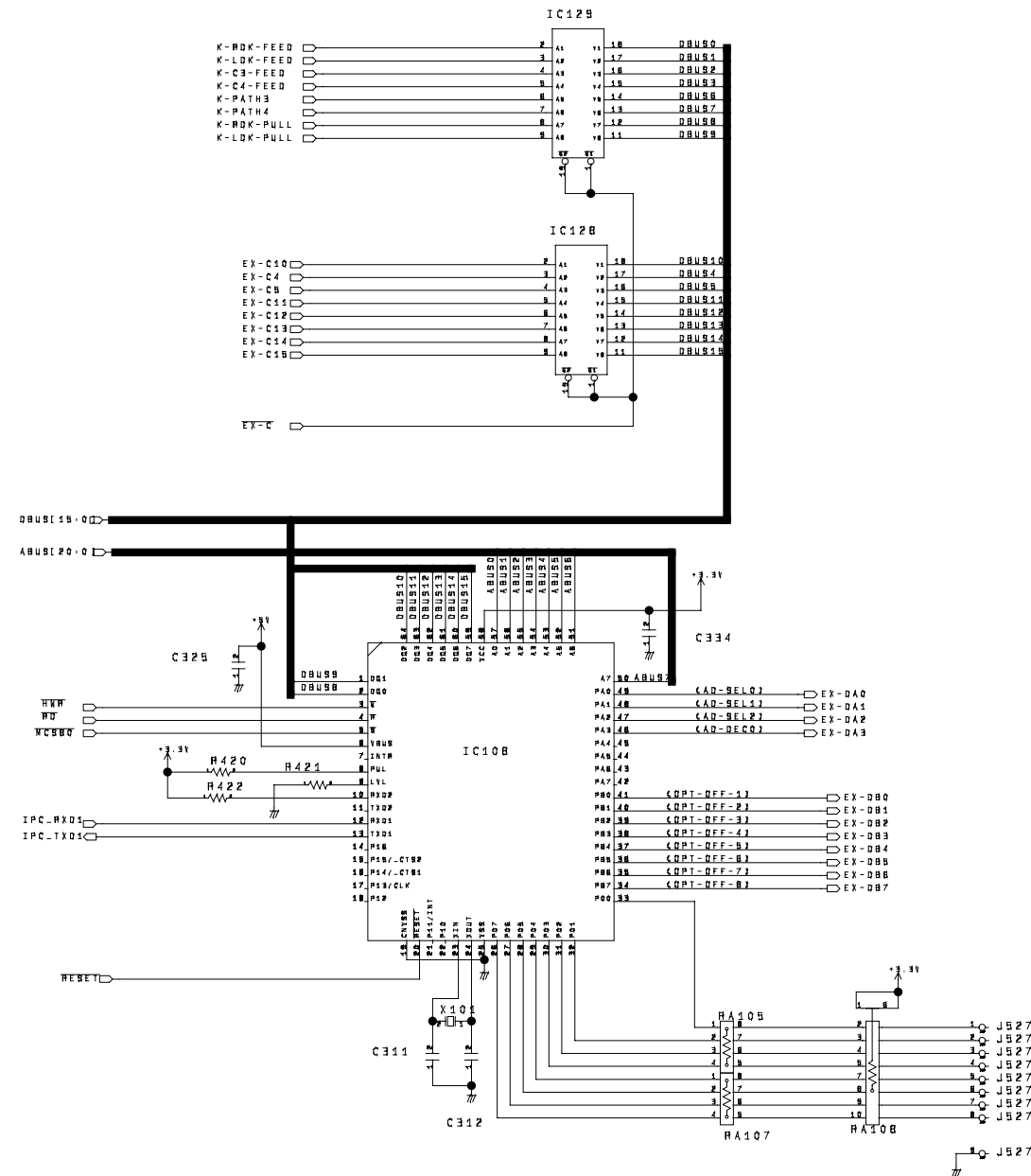
F-1-5

DC CONTROLLER PCB(6/26)
iR105i/iR105+ / iR9070



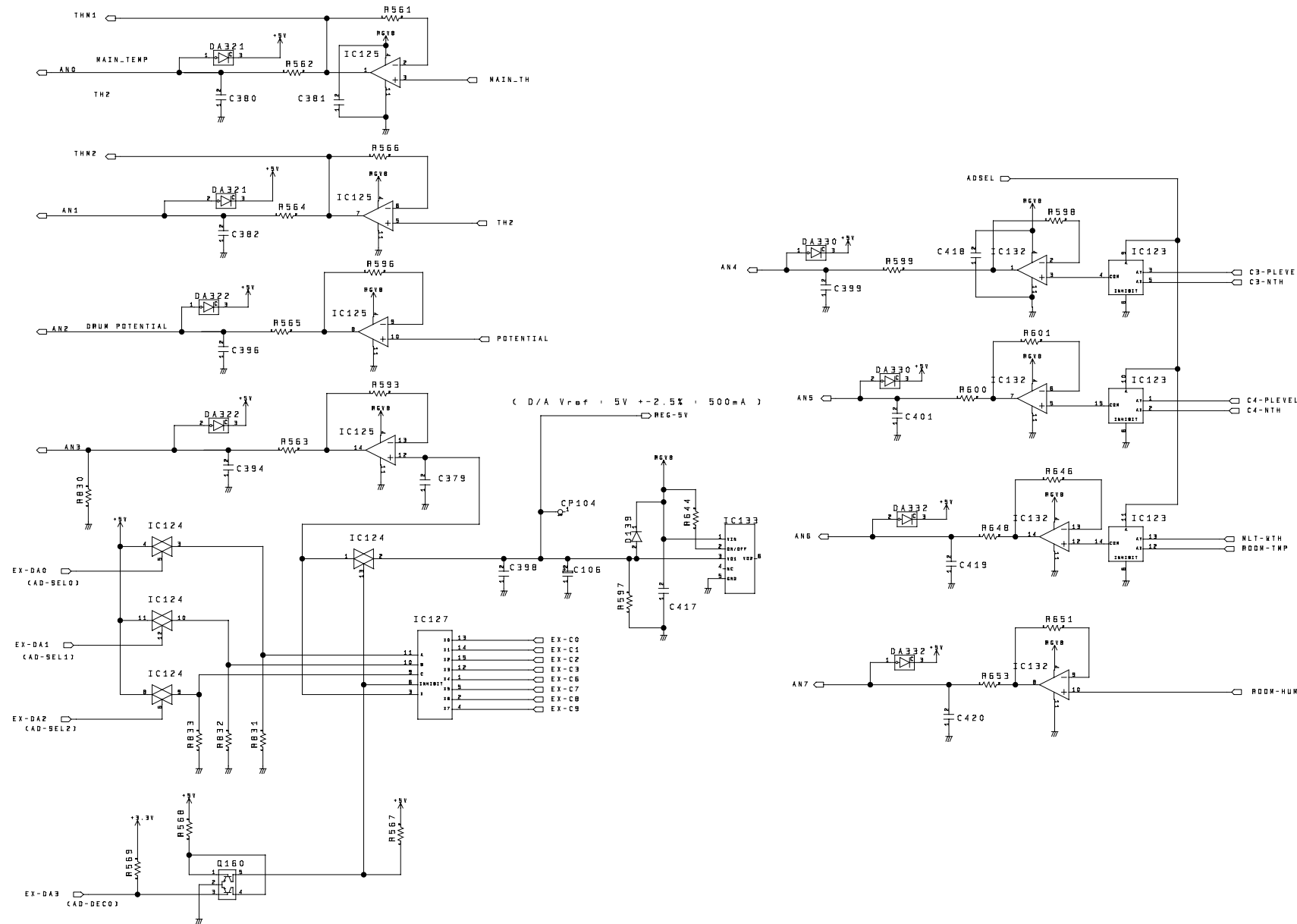
F-1-6

DC CONTROLLER PCB(7/26)
iR105i/iR105+ / iR9070



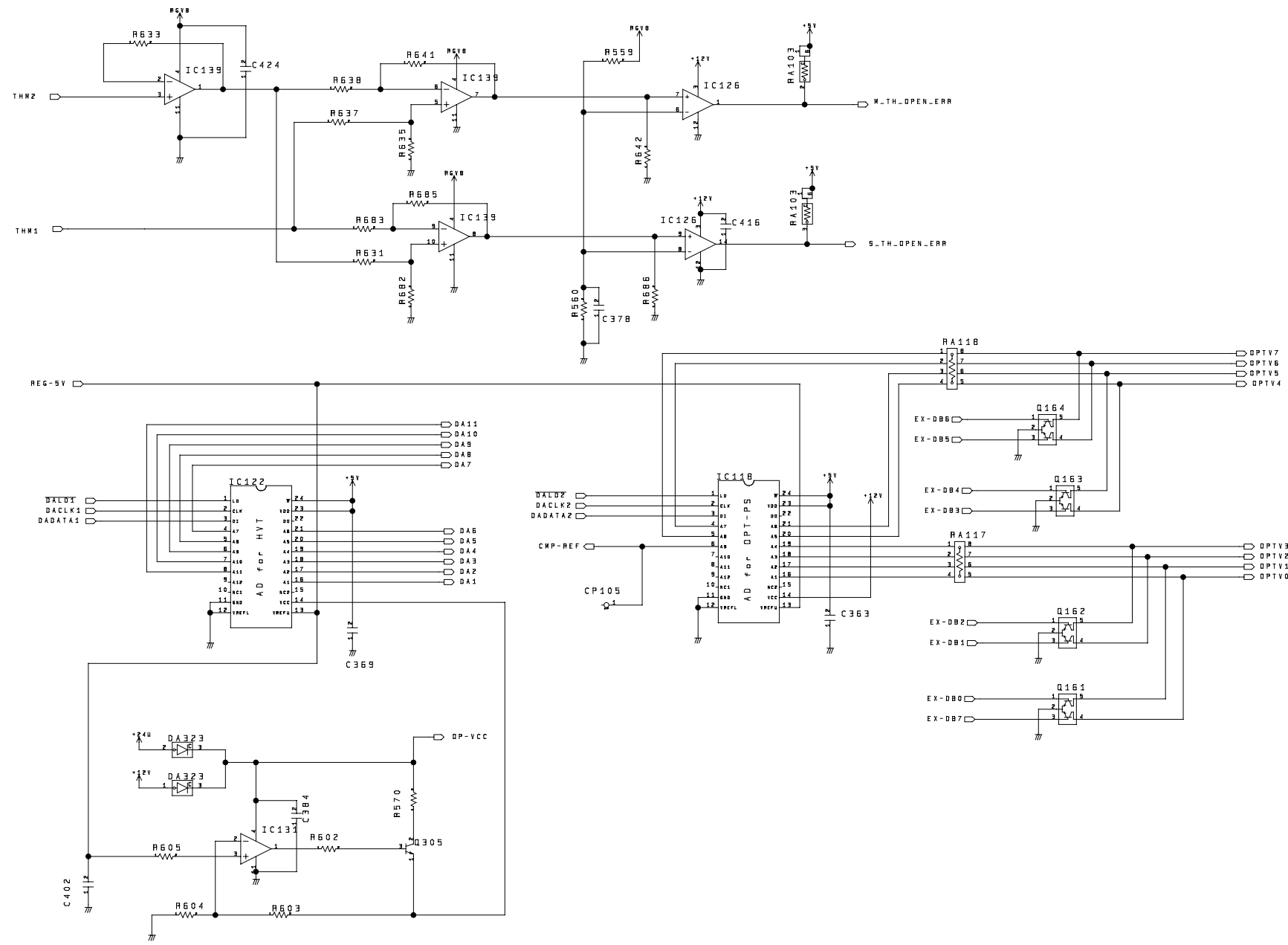
F-1-7

DC CONTROLLER PCB(8/26)
iR105i/iR105+ / iR9070



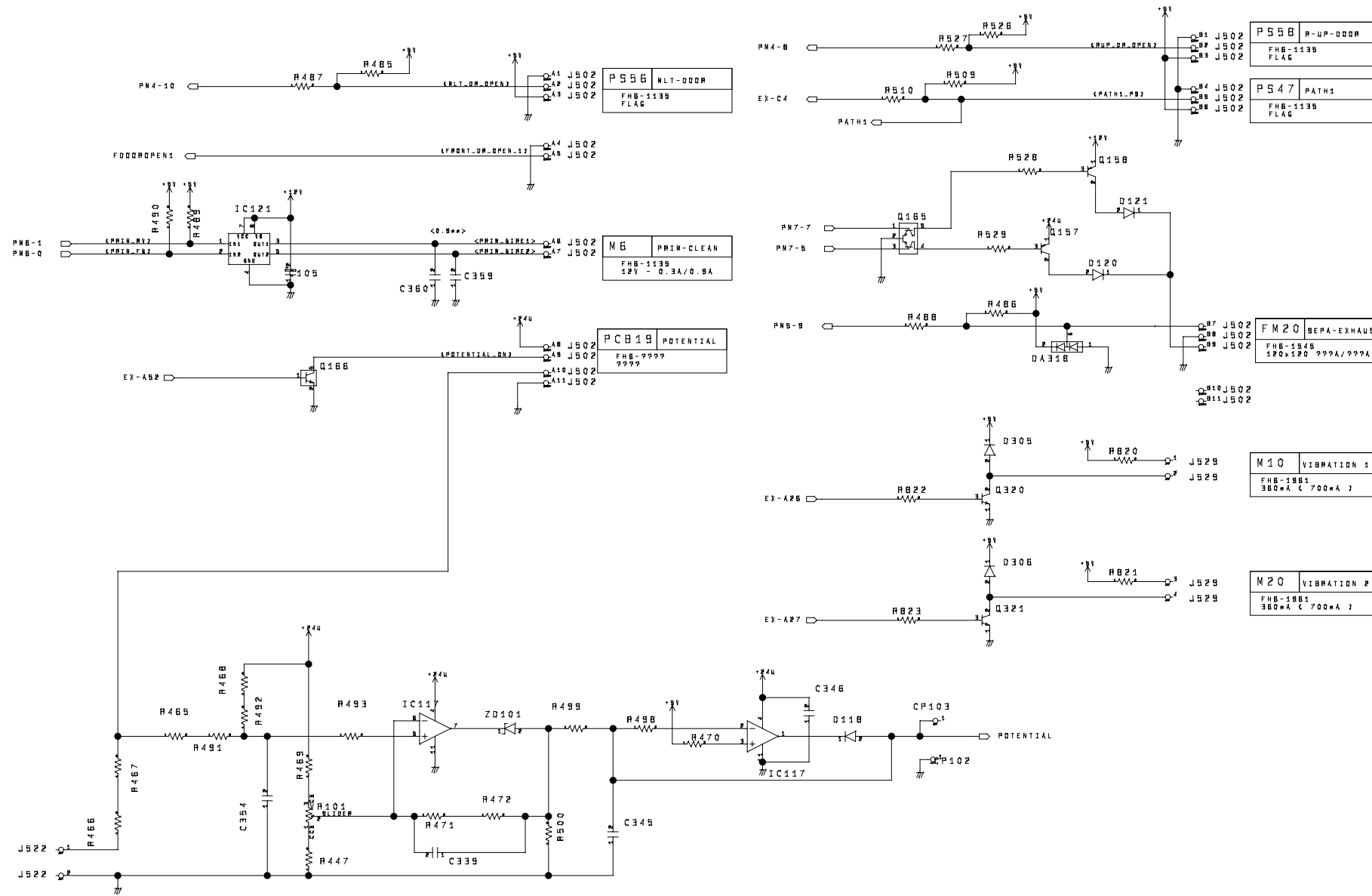
F-1-8

DC CONTROLLER PCB(9/26)
iR105i/iR105+ / iR9070



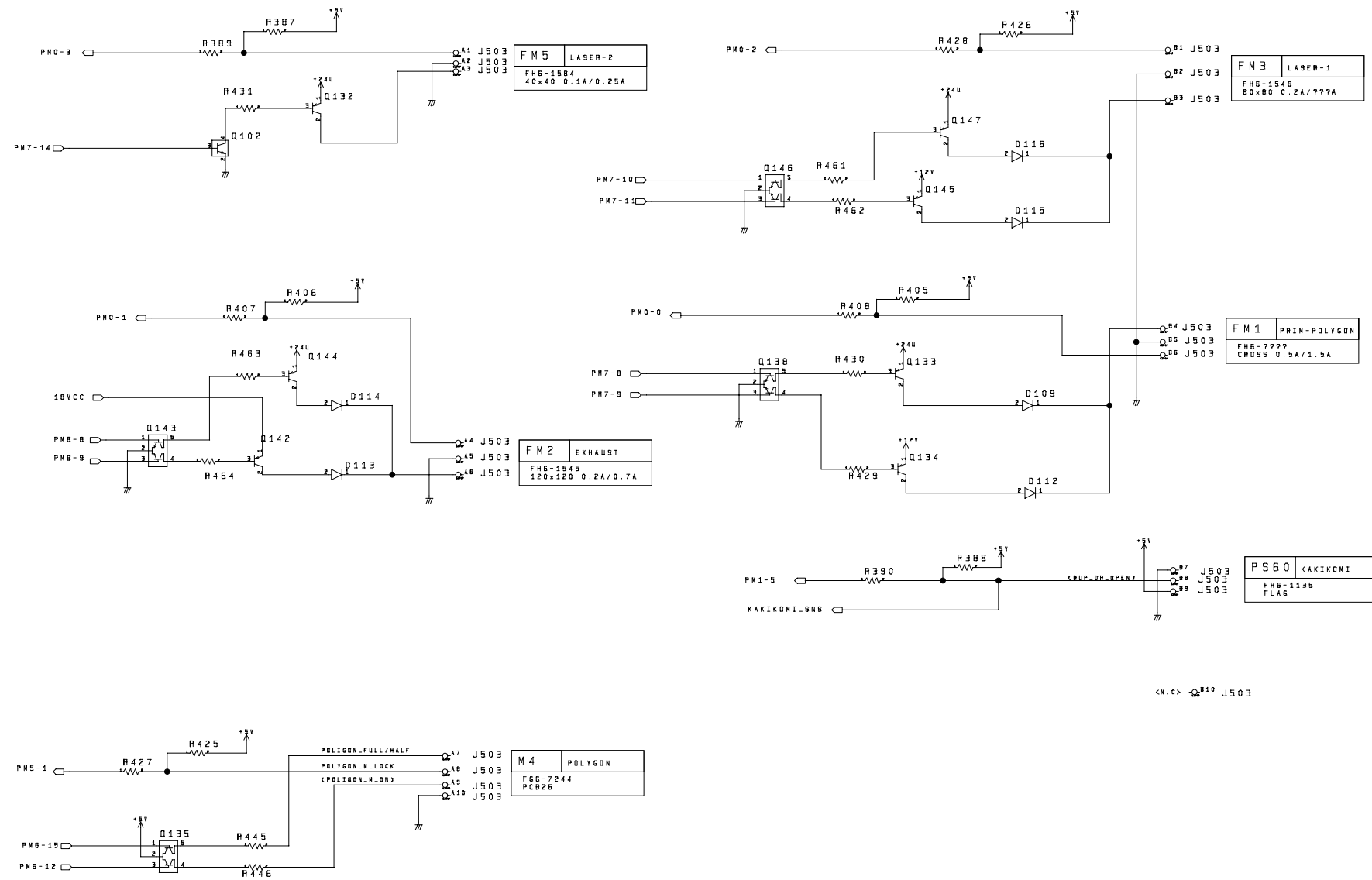
F-1-9

DC CONTROLLER PCB(10/26)
iR105i/iR105+ / iR9070



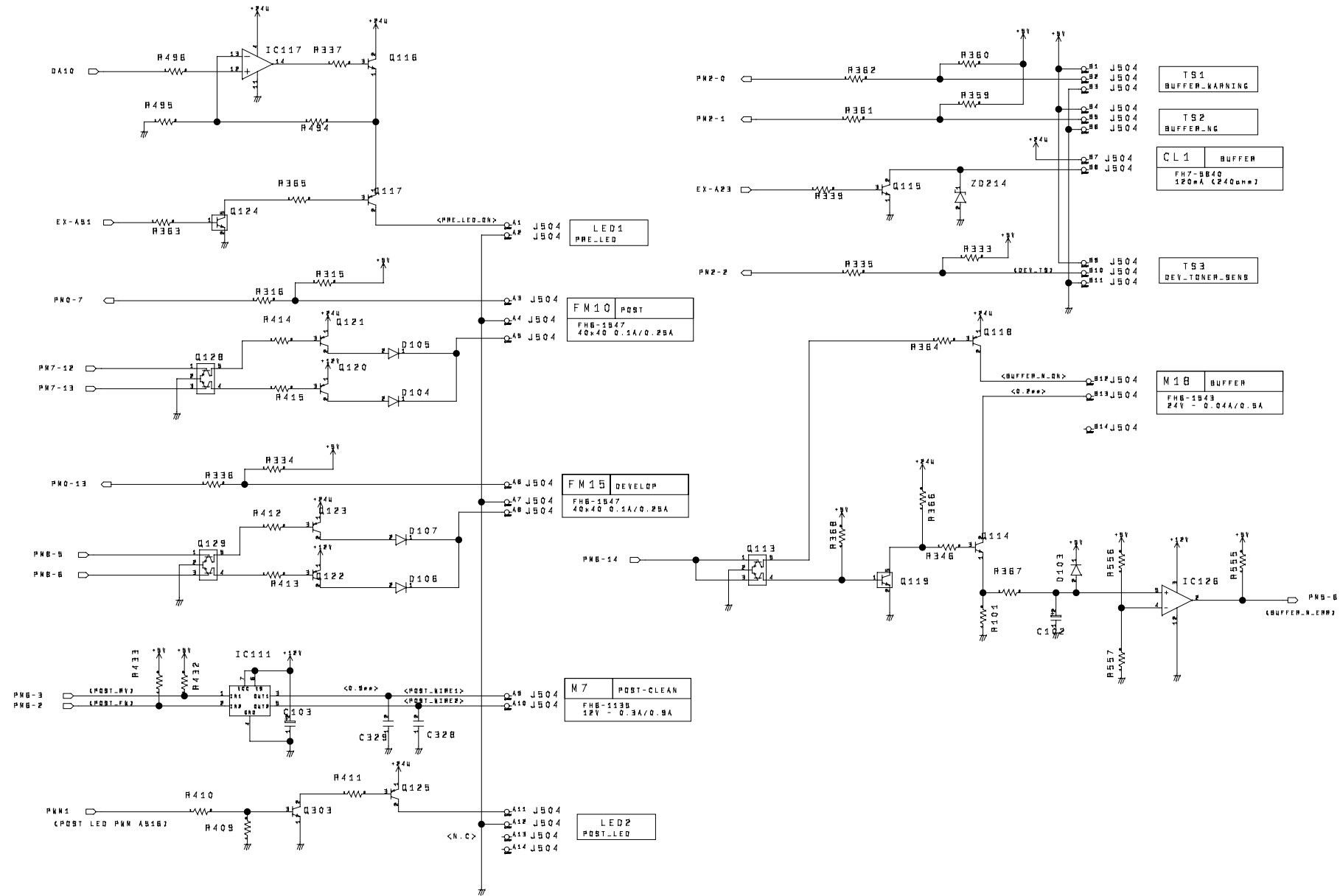
F-1-10

DC CONTROLLER PCB(11/26)
 iR105i/iR105+ / iR9070



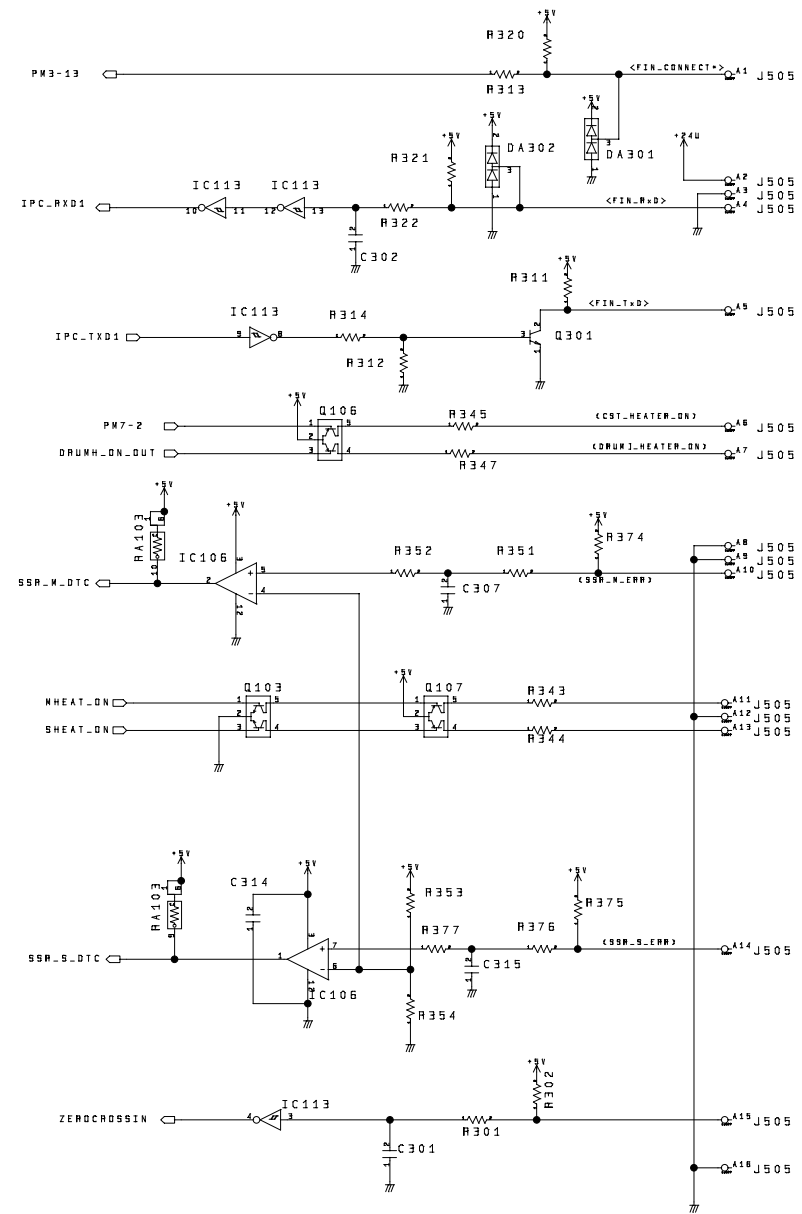
F-1-11

DC CONTROLLER PCB(12/26)
iR105i/iR105+ / iR9070



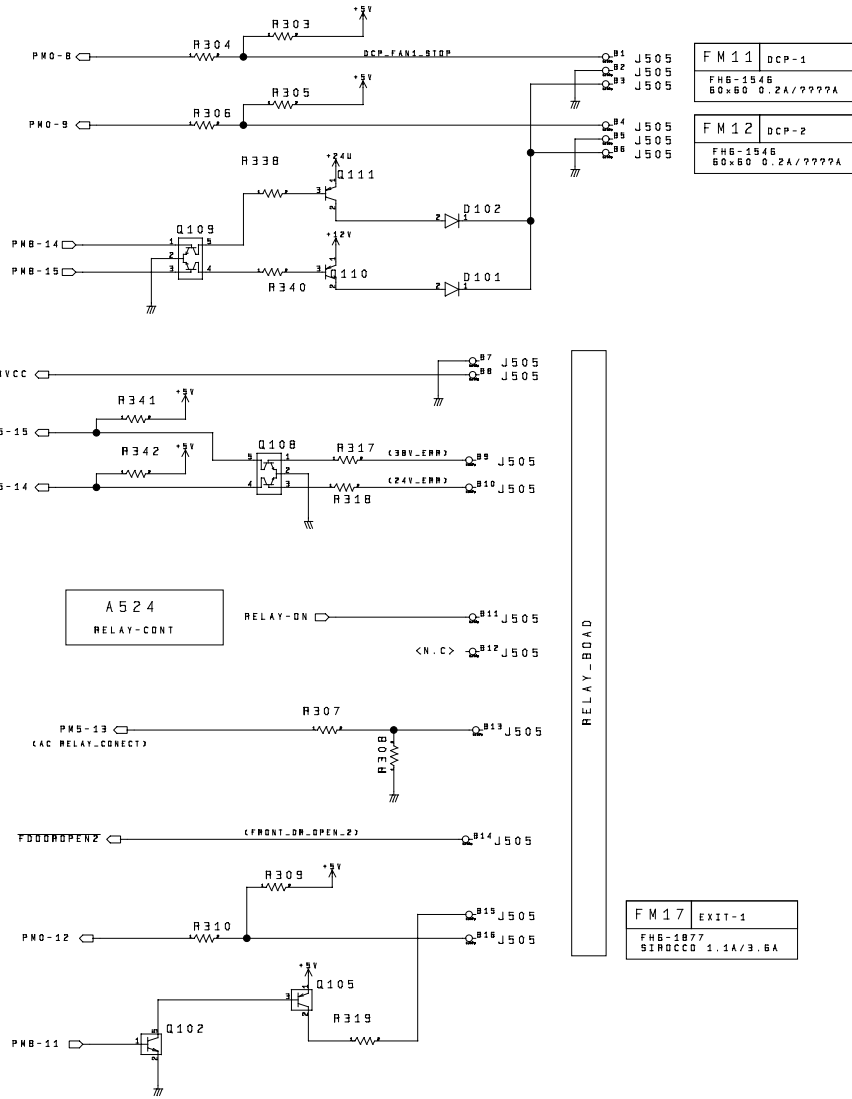
F-1-12

DC CONTROLLER PCB(13/26)
iR105i/iR105+ / iR9070



FINISHER

AC-DRIVER



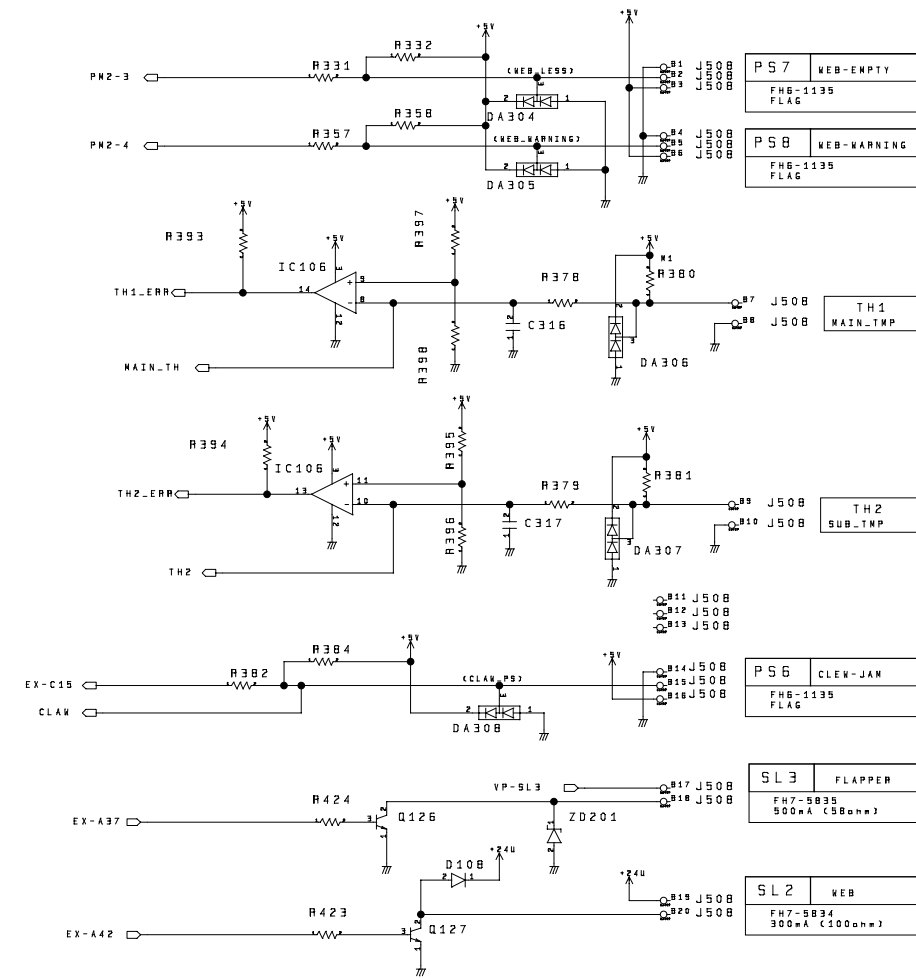
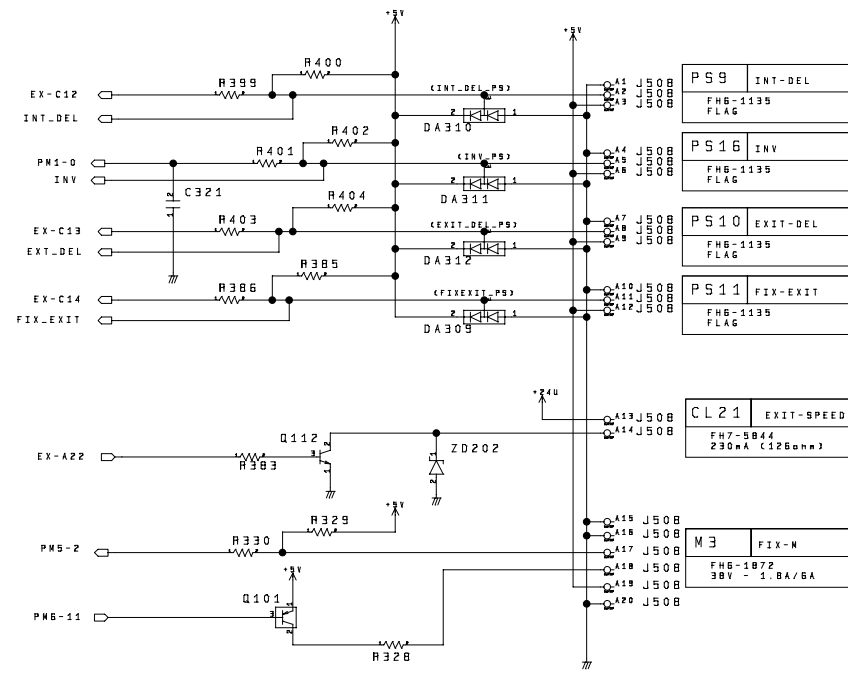
FM11	DCP-1
FHB-1546	
60x60 0.2A/7777A	

FM12	DCP-2
FHB-1546	
60x60 0.2A/7777A	

FM17	EXIT-1
FHB-1877	
S10R000 1.1A/3.6A	

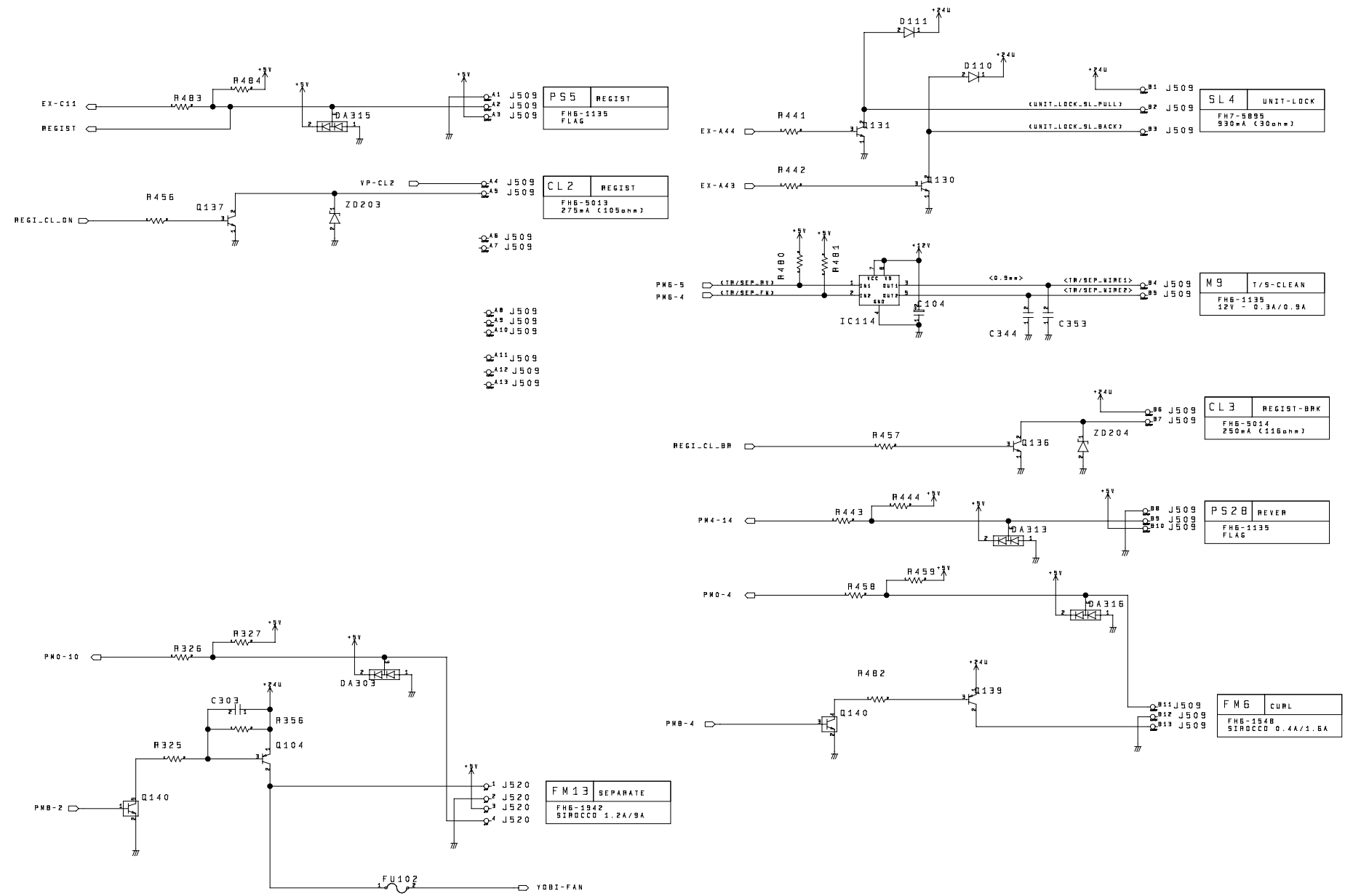
F-1-13

DC CONTROLLER PCB(14/26)
iR105i/iR105+ / iR9070



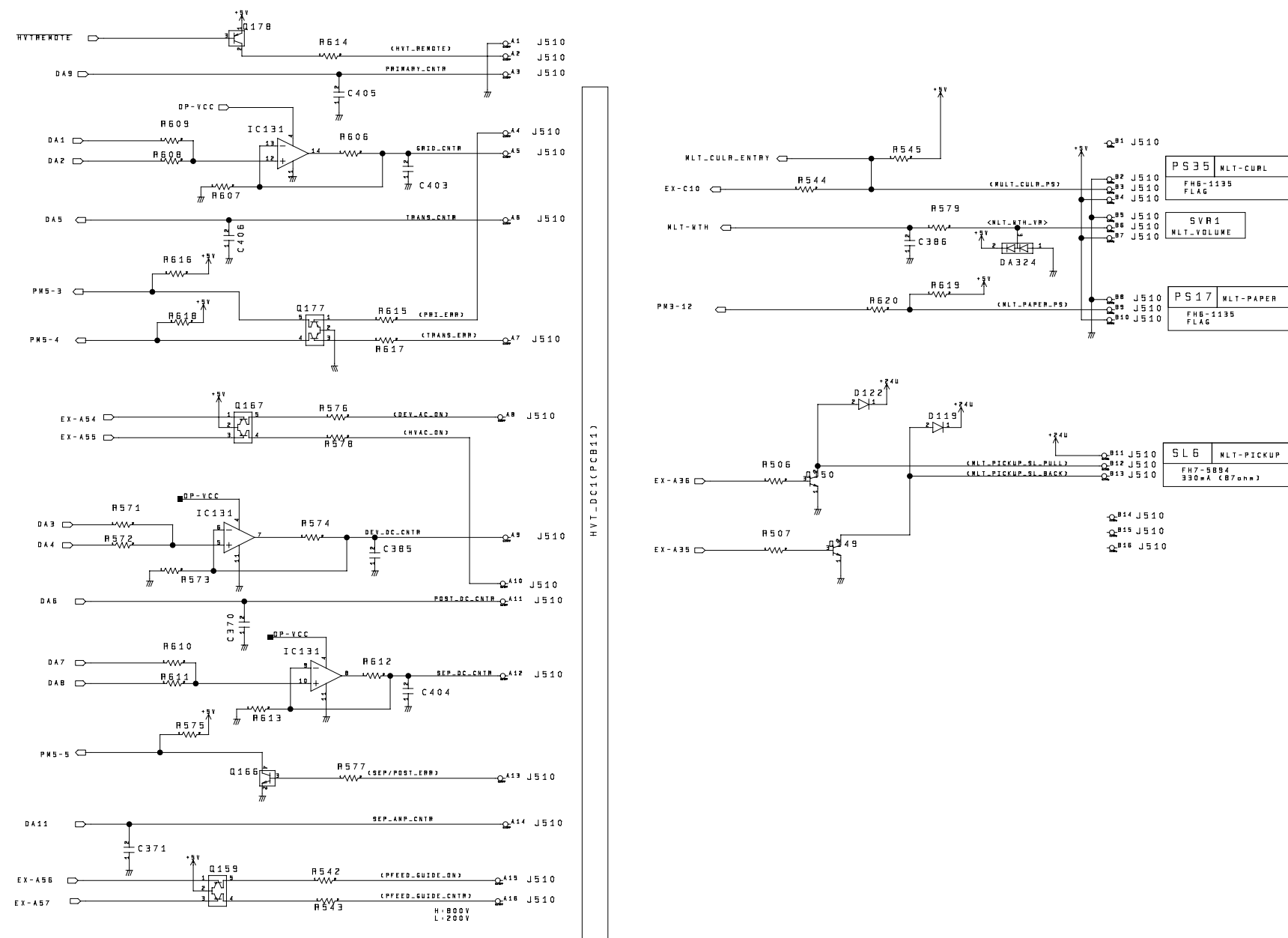
F-1-14

DC CONTROLLER PCB(15/26)
iR105i/iR105+ / iR9070



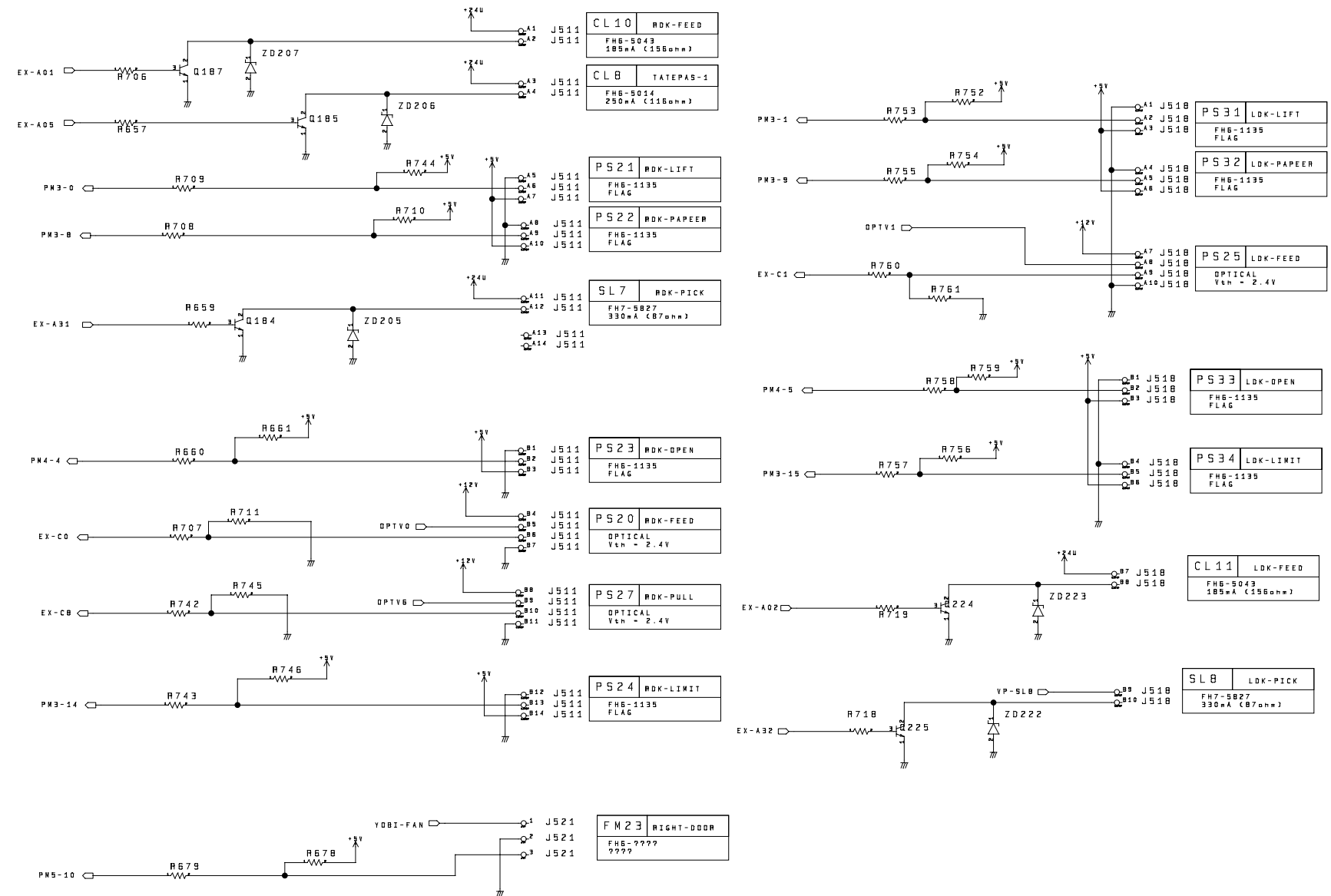
F-1-15

DC CONTROLLER PCB(16/26)
iR105i/iR105+ / iR9070



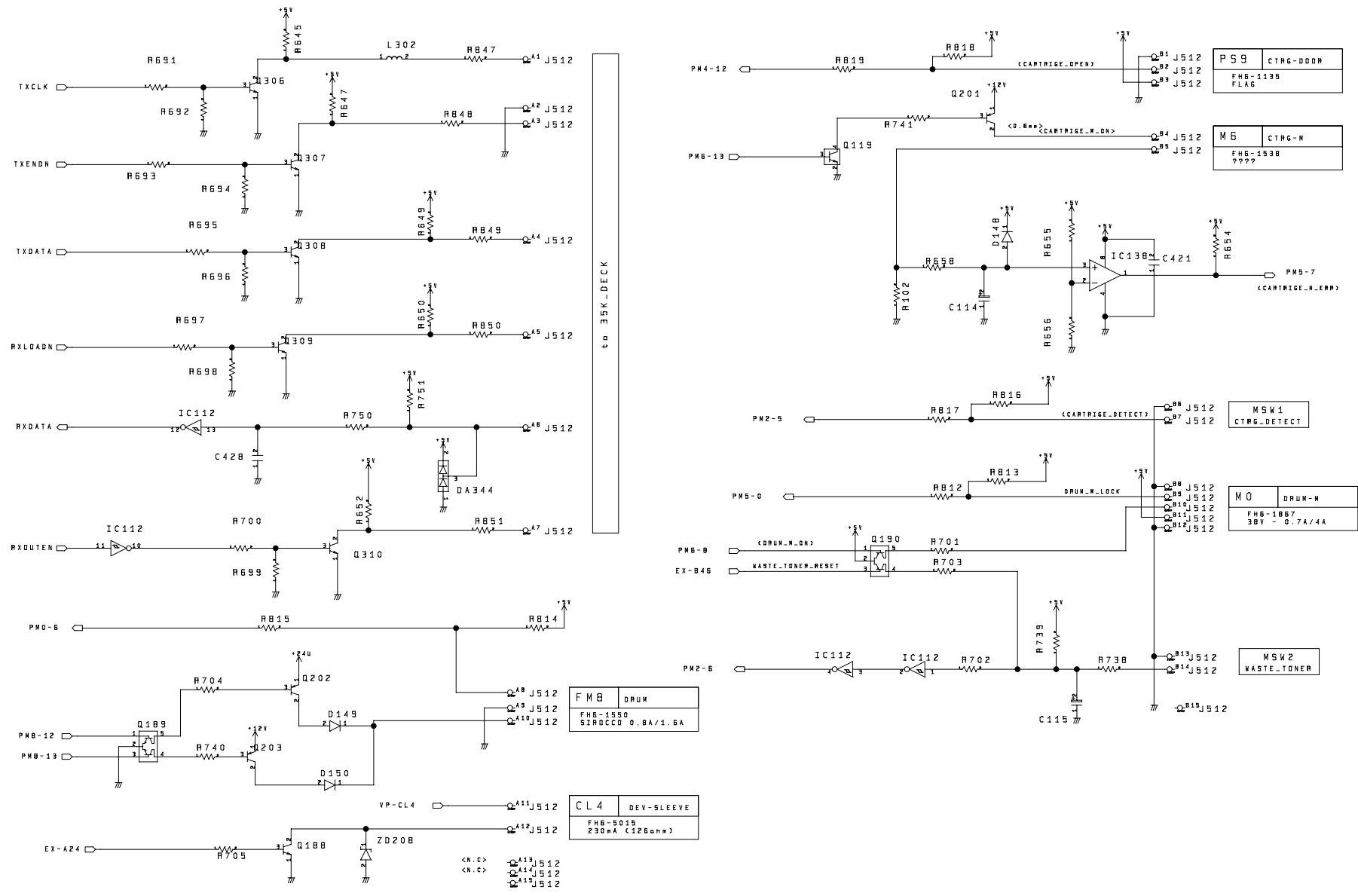
F-1-16

DC CONTROLLER PCB(17/26)
iR105i/iR105+ / iR9070

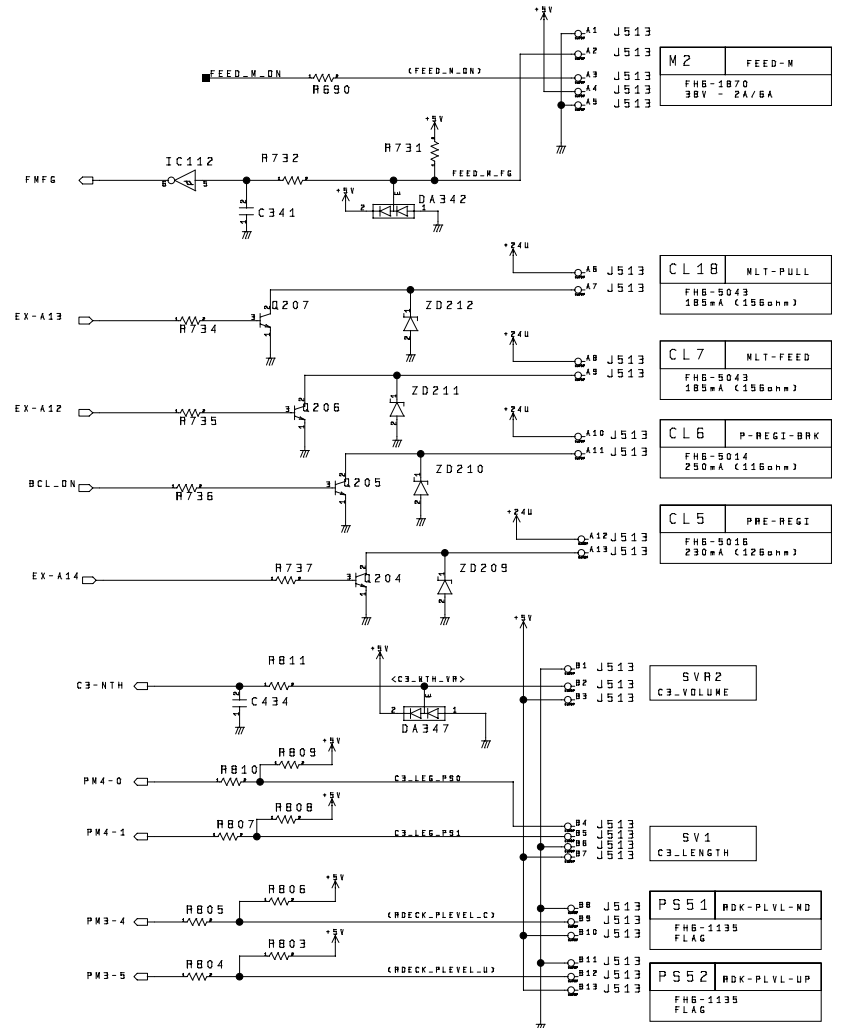
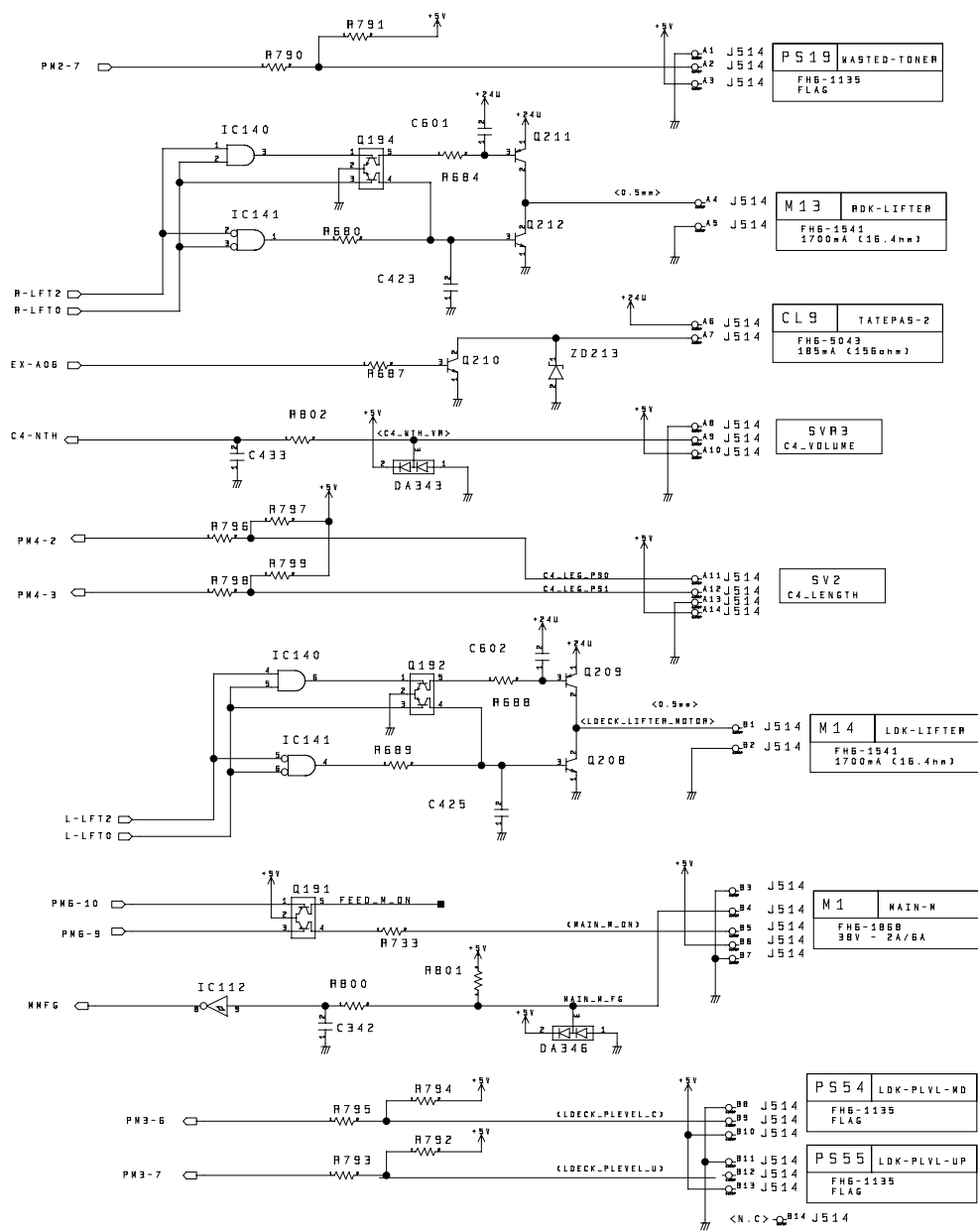


F-1-17

DC CONTROLLER PCB(18/26)
iR105i/iR105+ / iR9070

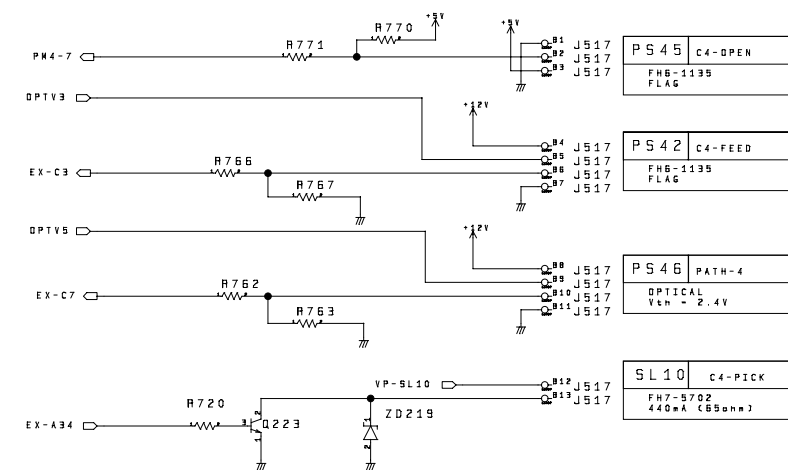
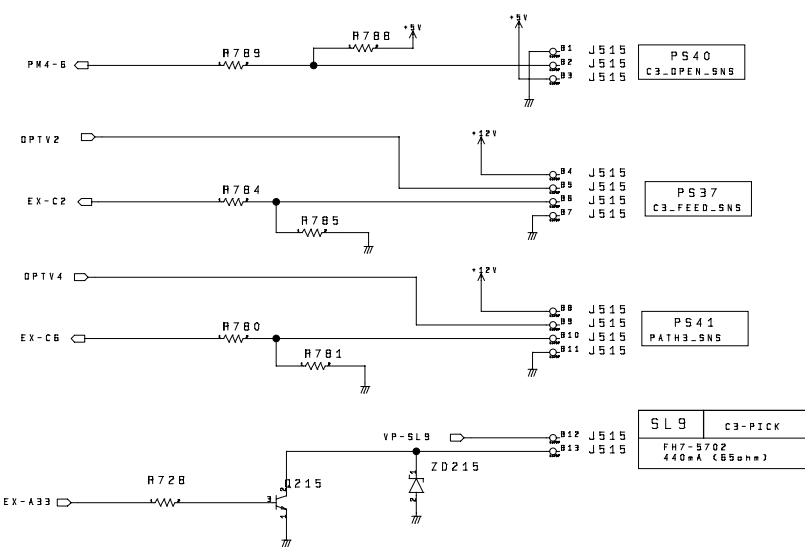
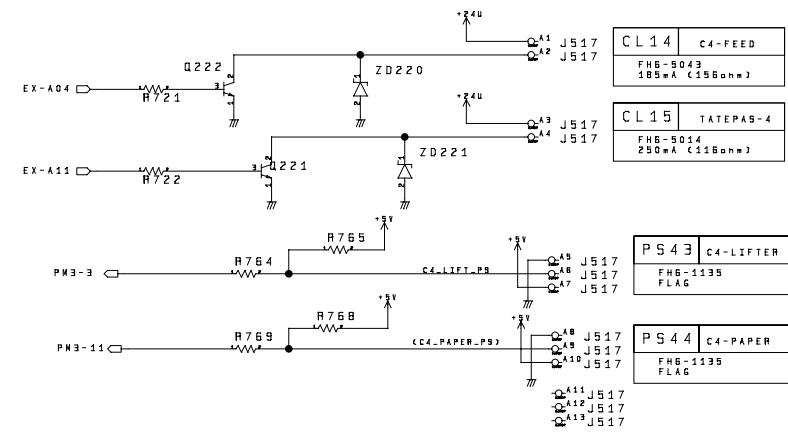
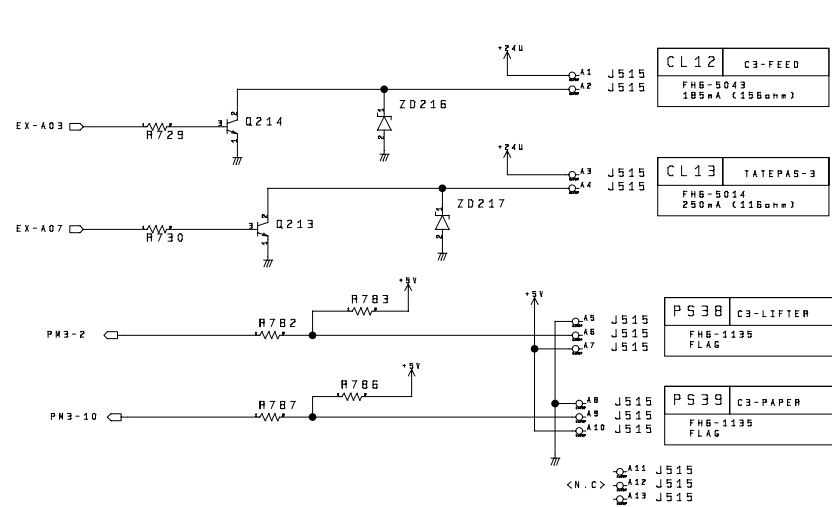


F-1-18

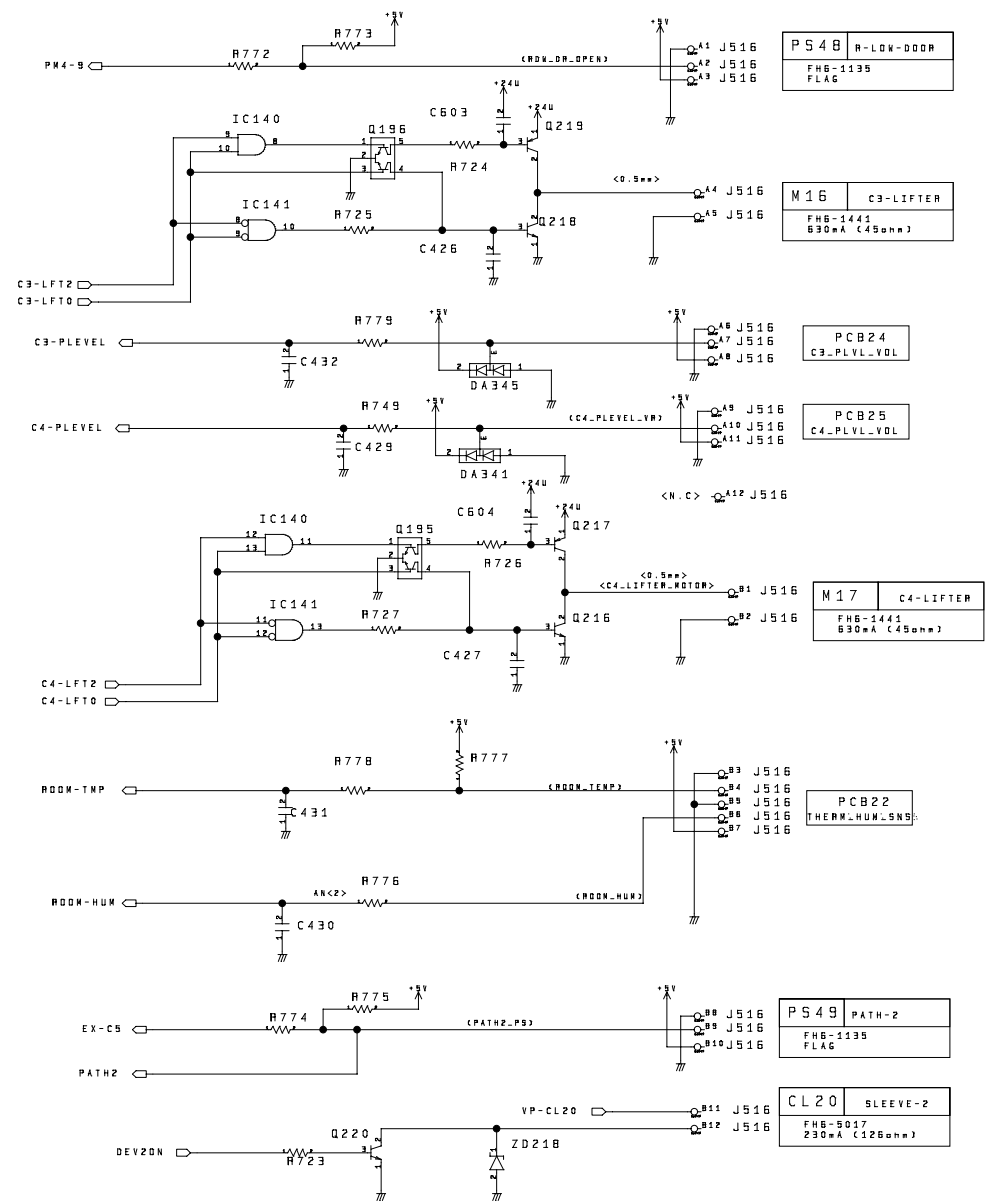


F-1-19

DC CONTROLLER PCB(20/26)
iR105i/iR105+ / iR9070

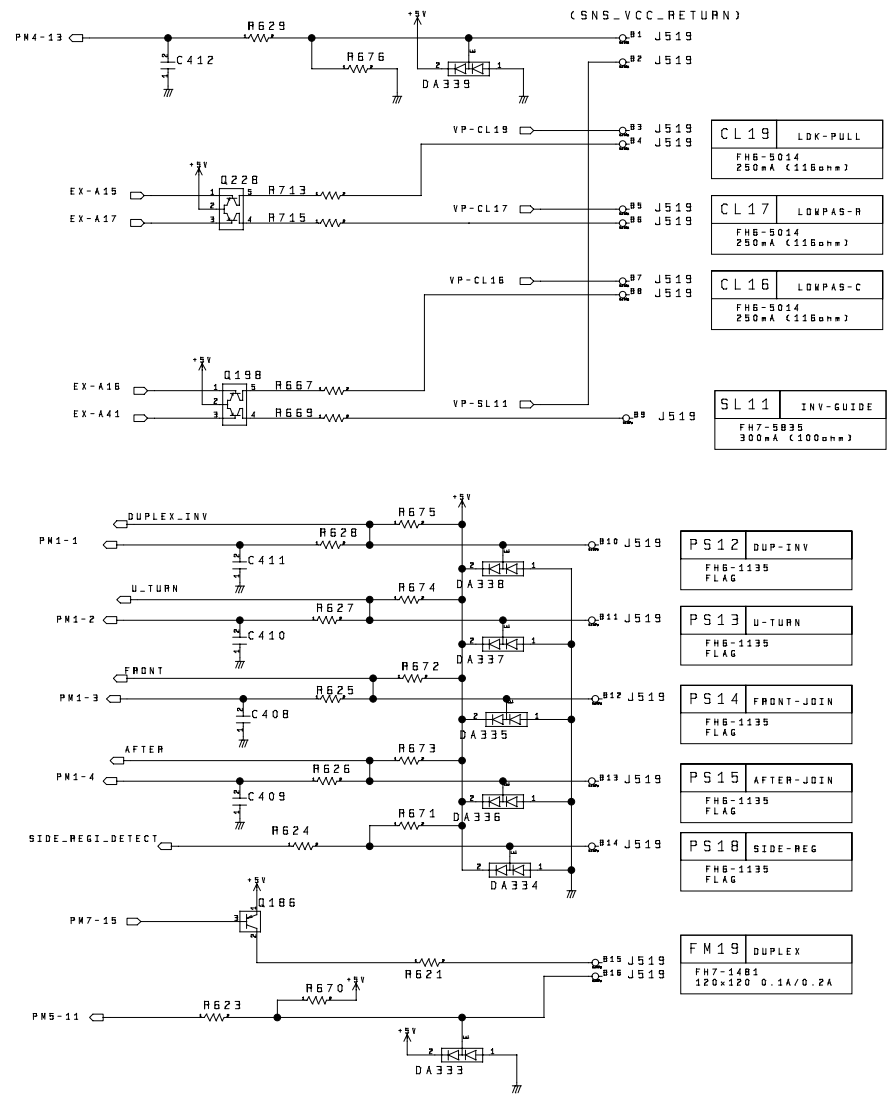
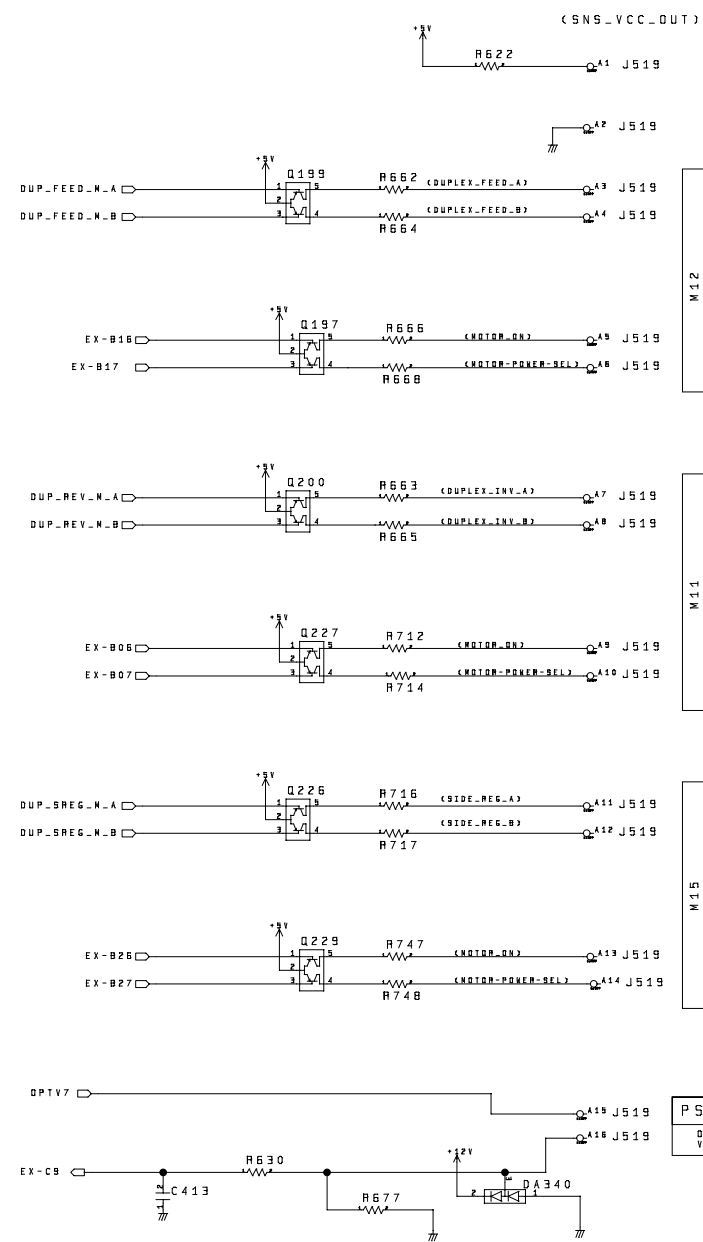


F-1-20



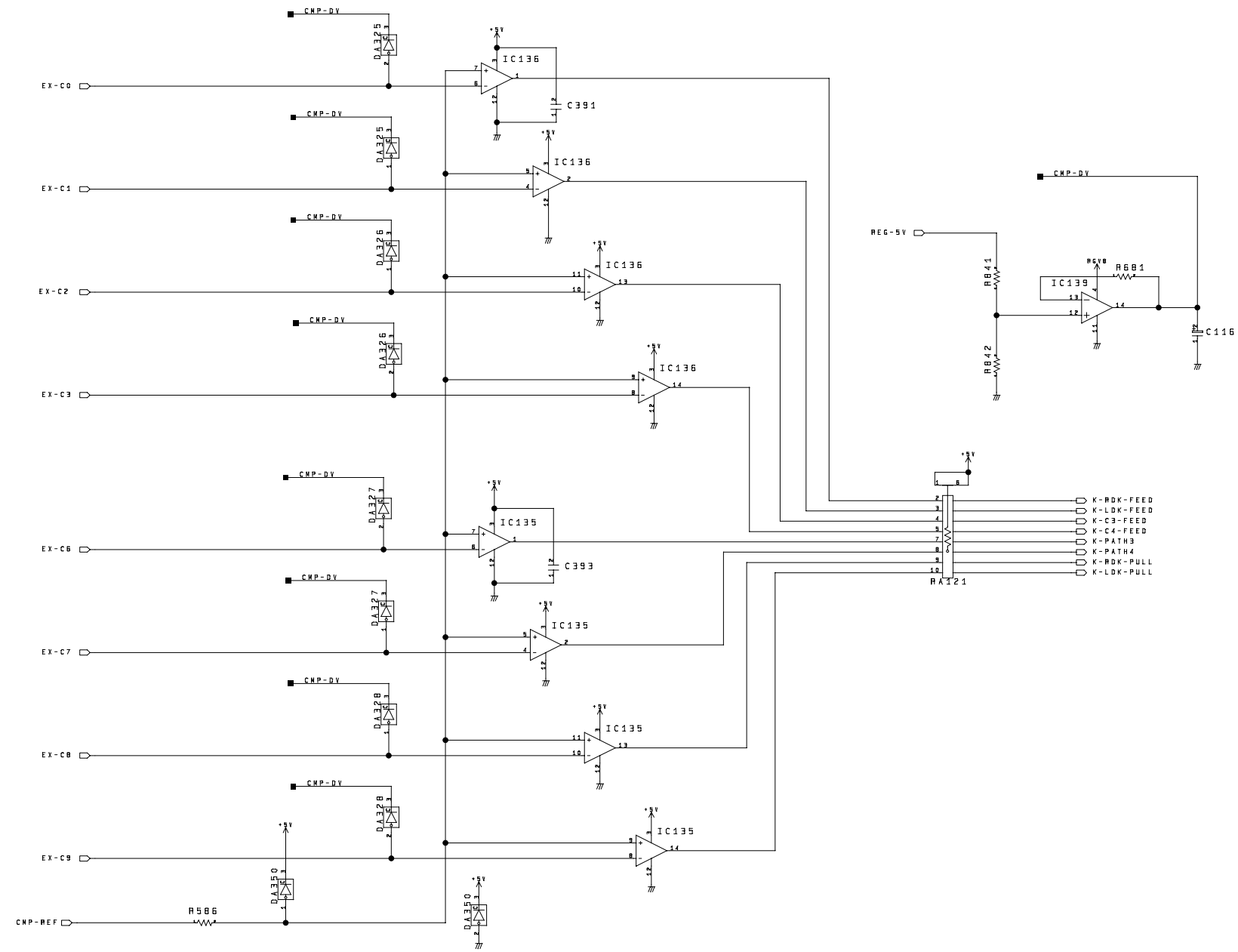
F-1-21

DC CONTROLLER PCB(22/26)
iR105i/iR105+ / iR9070



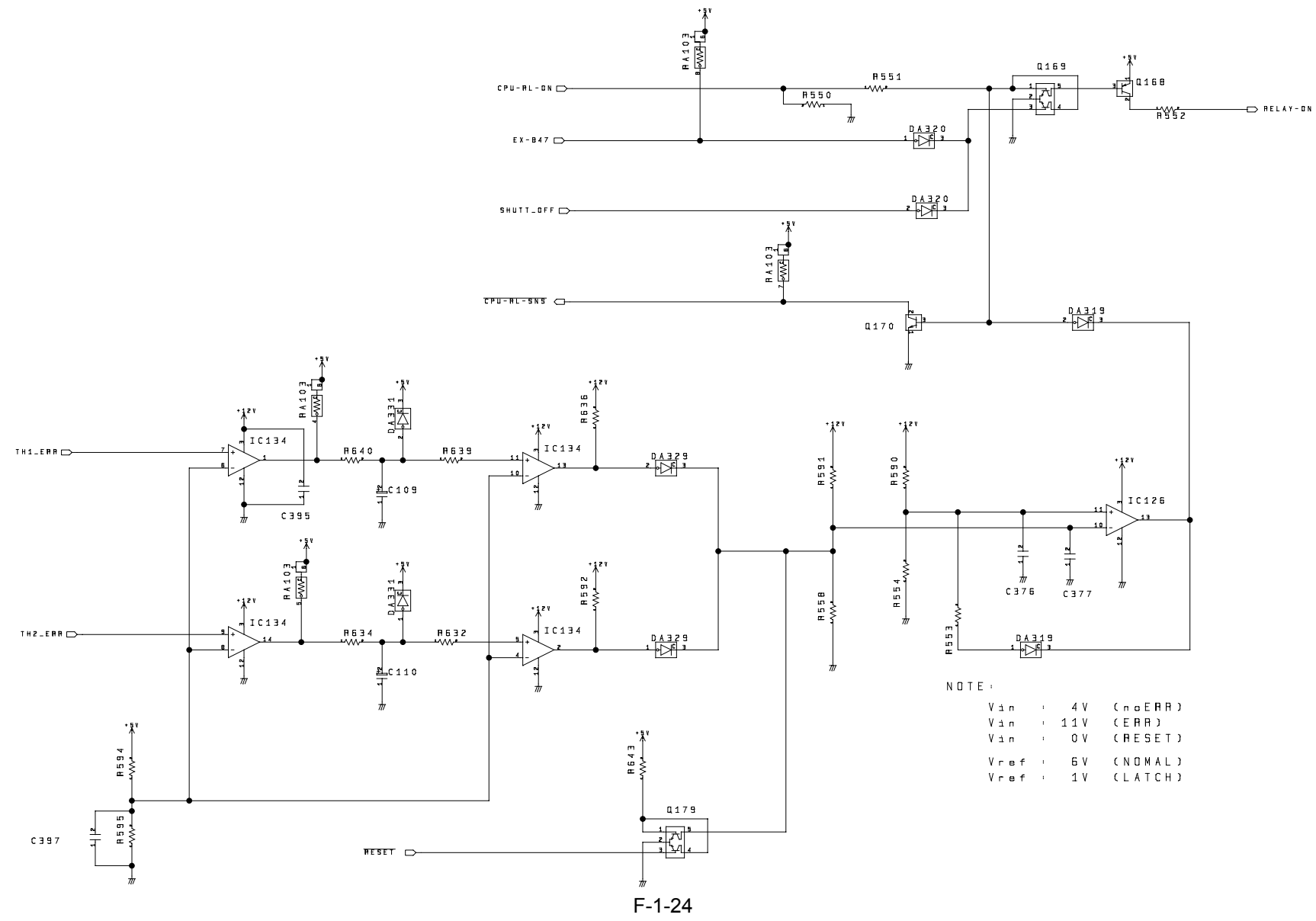
F-1-22

DC CONTROLLER PCB(23/26)
iR105i/iR105+ / iR9070

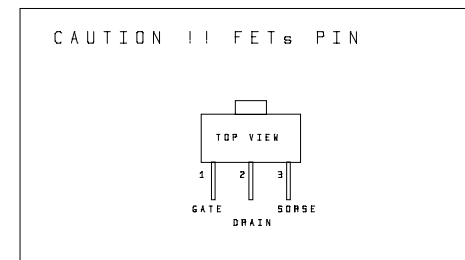
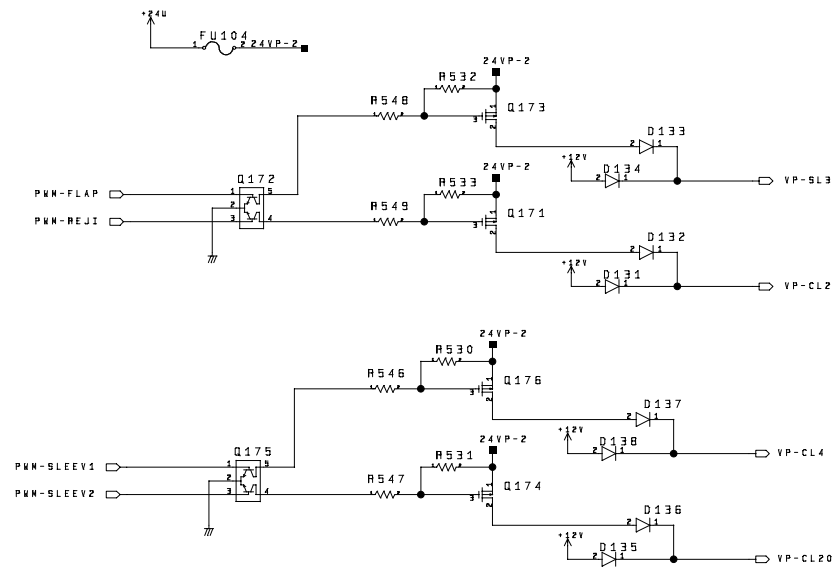
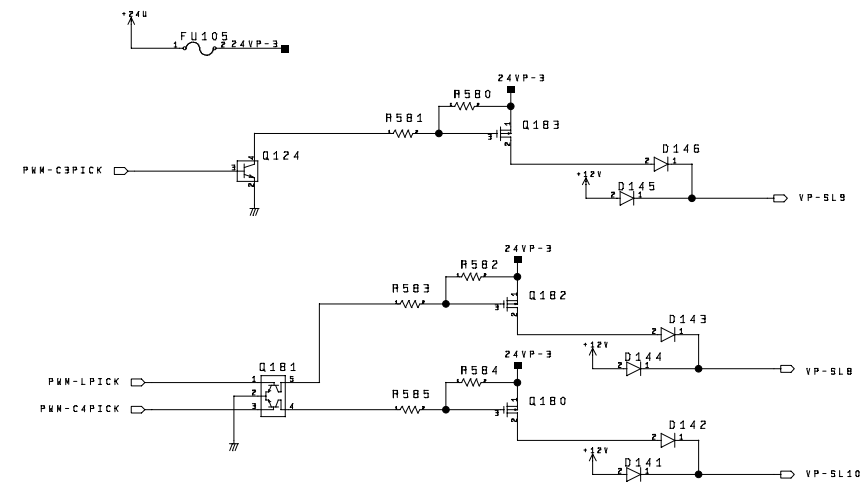
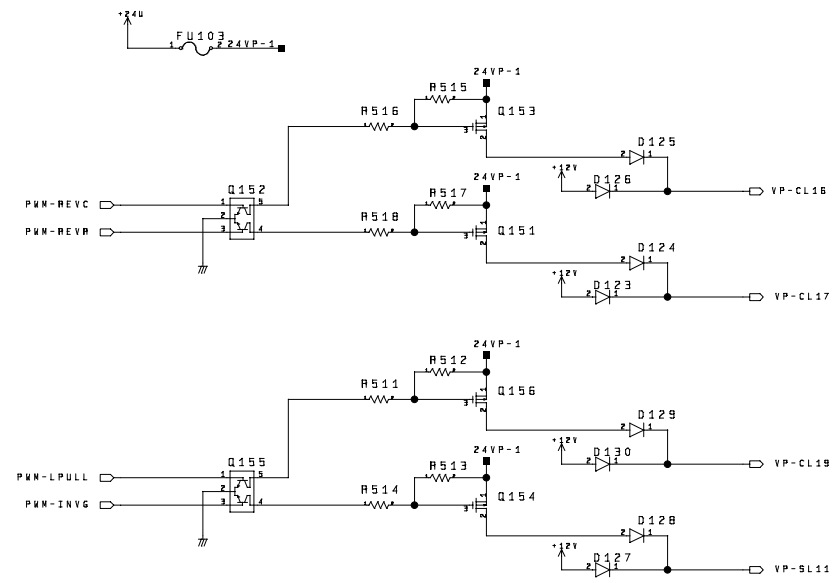


F-1-23

DC CONTROLLER PCB(24/26)
iR105i/iR105+ / iR9070

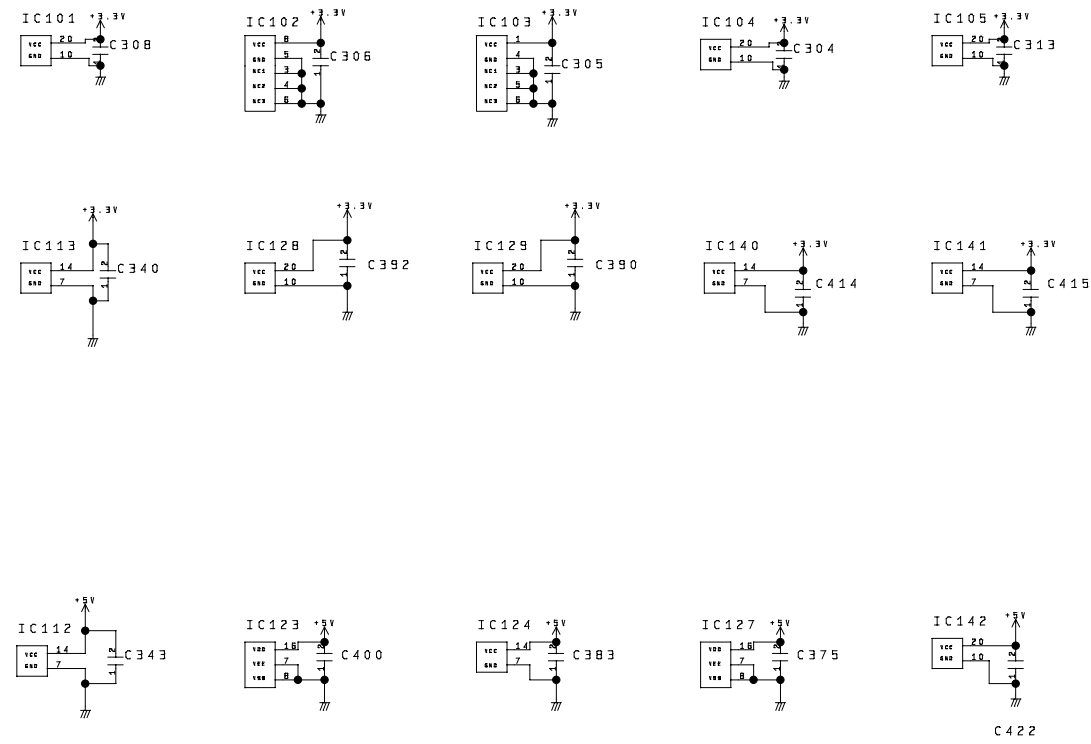


DC CONTROLLER PCB(25/26)
iR105i/iR105+ / iR9070



F-1-25

DC CONTROLLER PCB(26/26)
iR105i/iR105+ / iR9070



F-1-26

Reader Controller PCB
 READER CONTROLLER PCB(1/12)
 iR105i/iR105+ / iR9070

A 5 0 2 : CPU
J 1 1 1 6

A 5 0 3 : ROM , RAM , RESET
J 1 1 0 6

A 5 0 4 : IPC , ADF I / F , PC I / F
J 1 1 1 0 B , J 1 1 1 3

A 5 0 5 : PIO , FAN , SIZE
J 1 1 1 2 , J 1 1 1 4

A 5 0 6 : K I R E N G E

A 5 0 7 : S H O U M A

A 5 0 8 : CCDAP I / F [VIDEO]
J 1 1 0 7

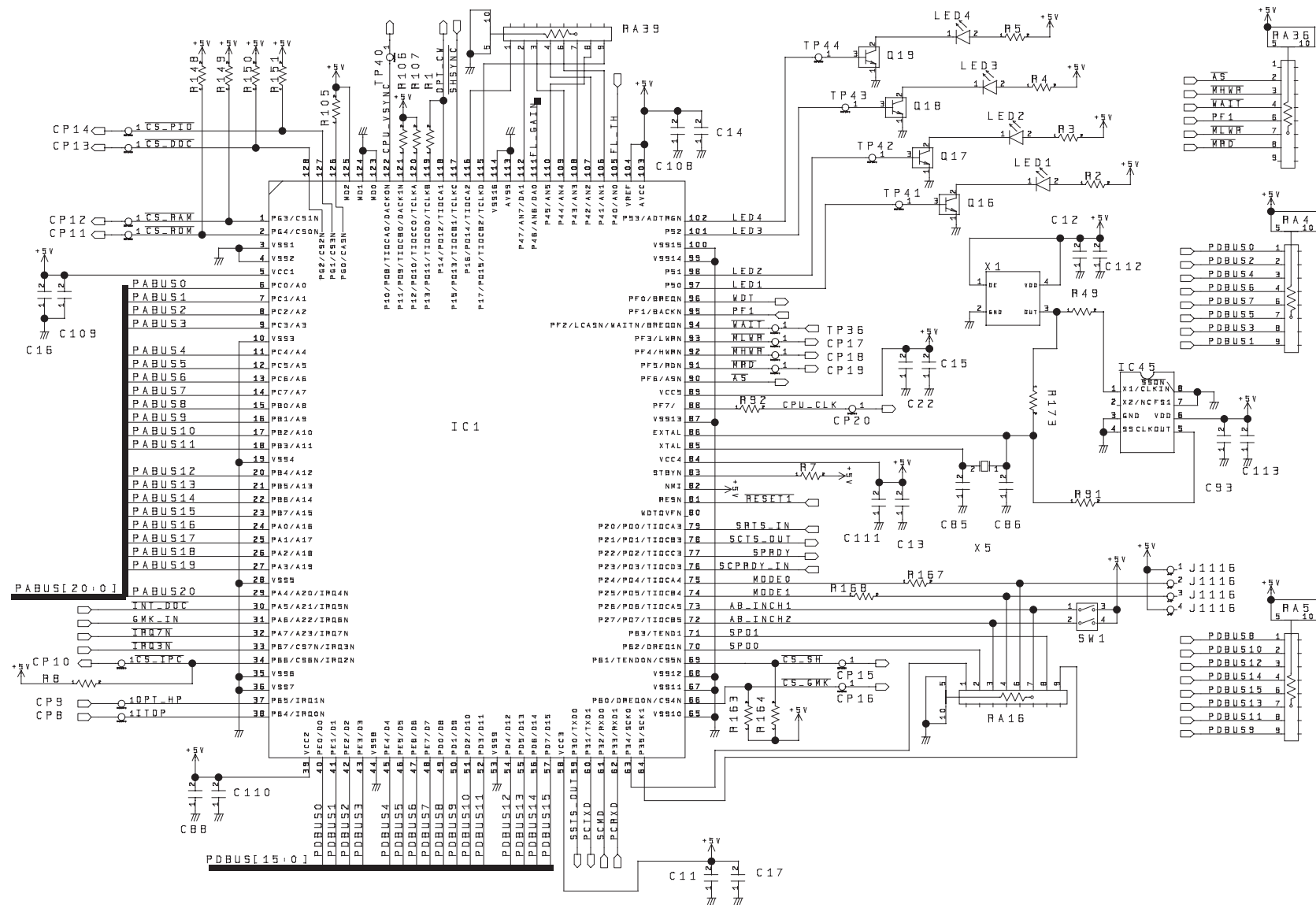
A 5 0 9 : CCDAP I / F , POWER I / F
J 1 1 0 1 , J 1 1 0 2 , J 1 1 0 8

A 5 1 0 : OPT - M I / F , FL I / F
J 1 1 0 9 , J 1 1 1 0 A

A 5 1 1 : DDI I / F
J 1 1 0 4

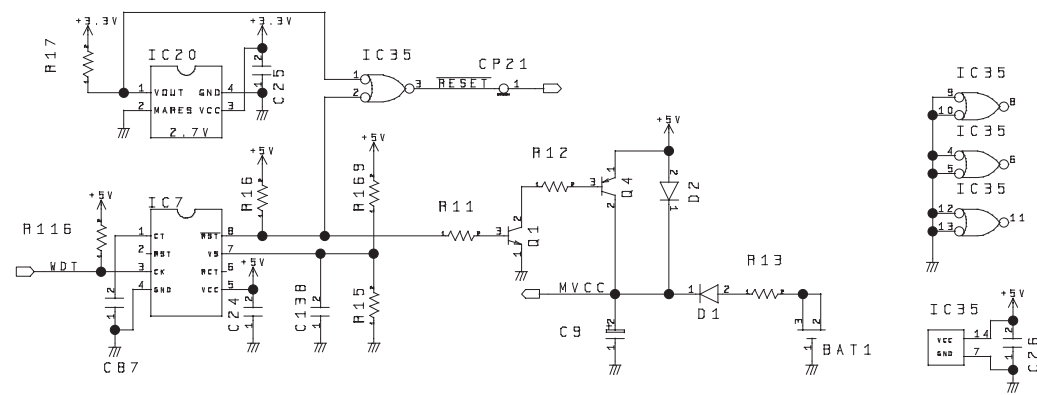
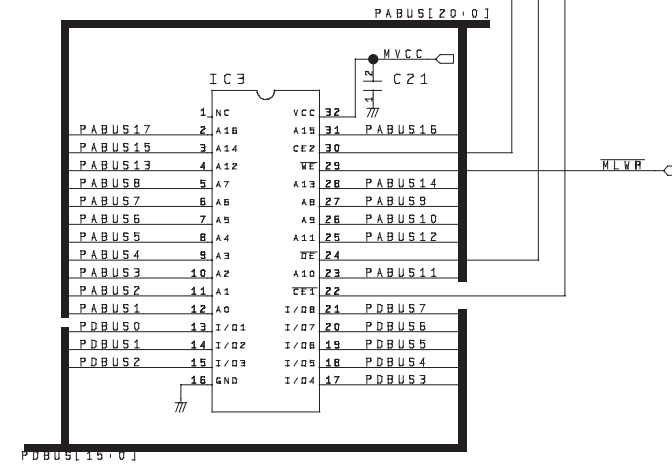
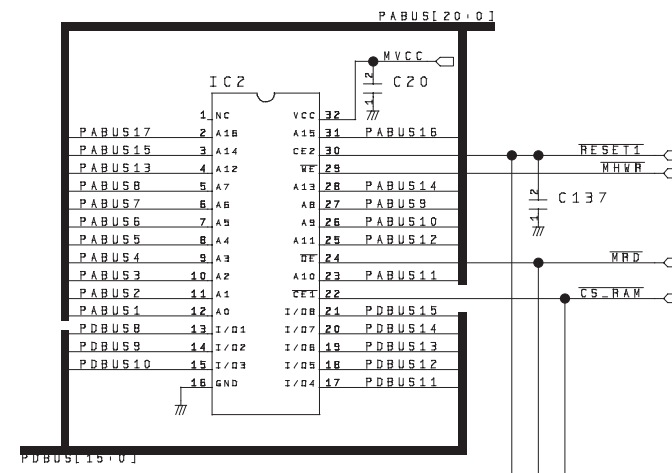
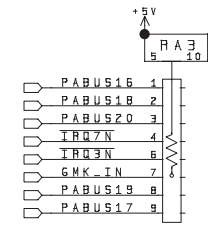
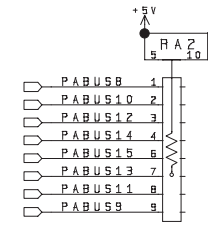
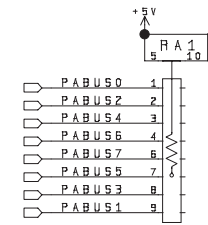
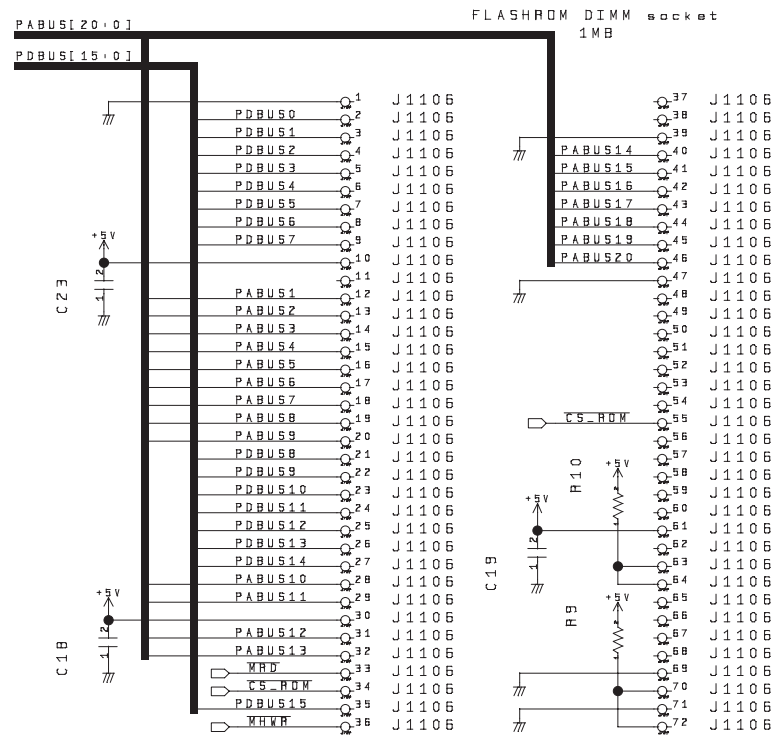
A 5 1 2 : DOC I / F
J 1 1 0 3

F-1-27



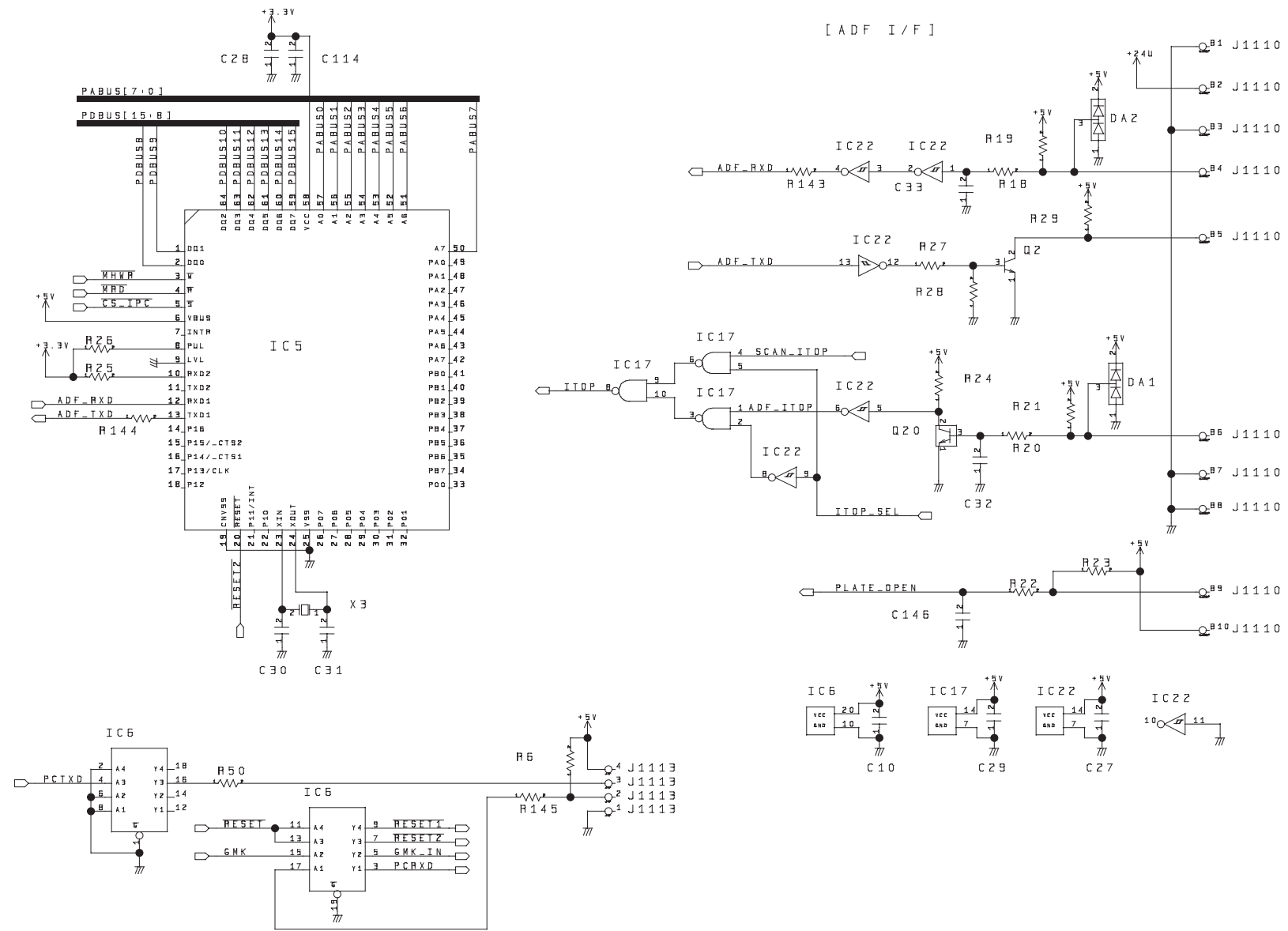
F-1-28

READER CONTROLLER PCB(3/12)
iR105i/iR105+ / iR9070



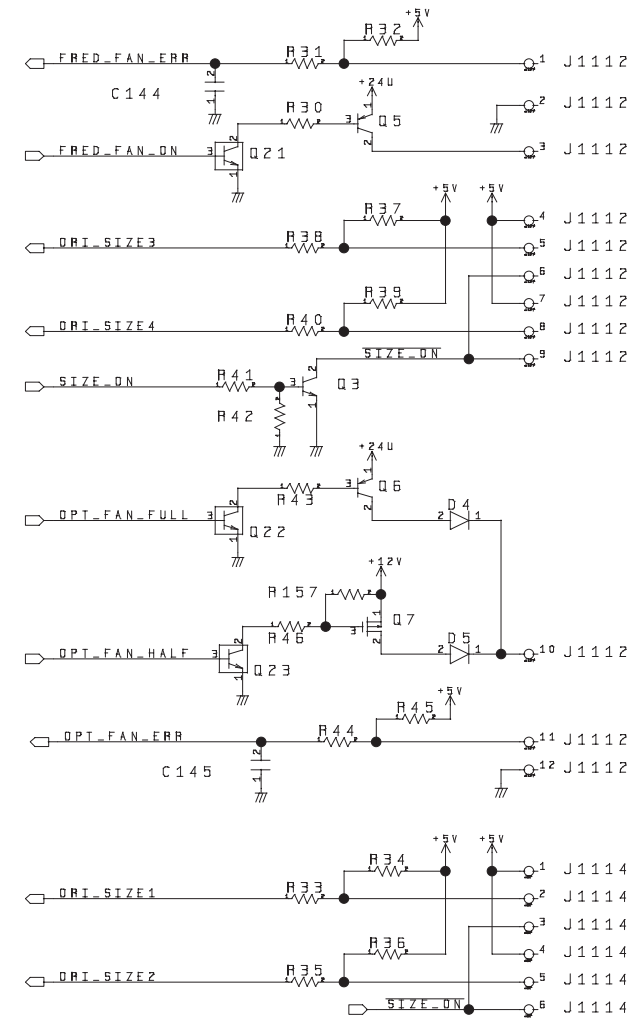
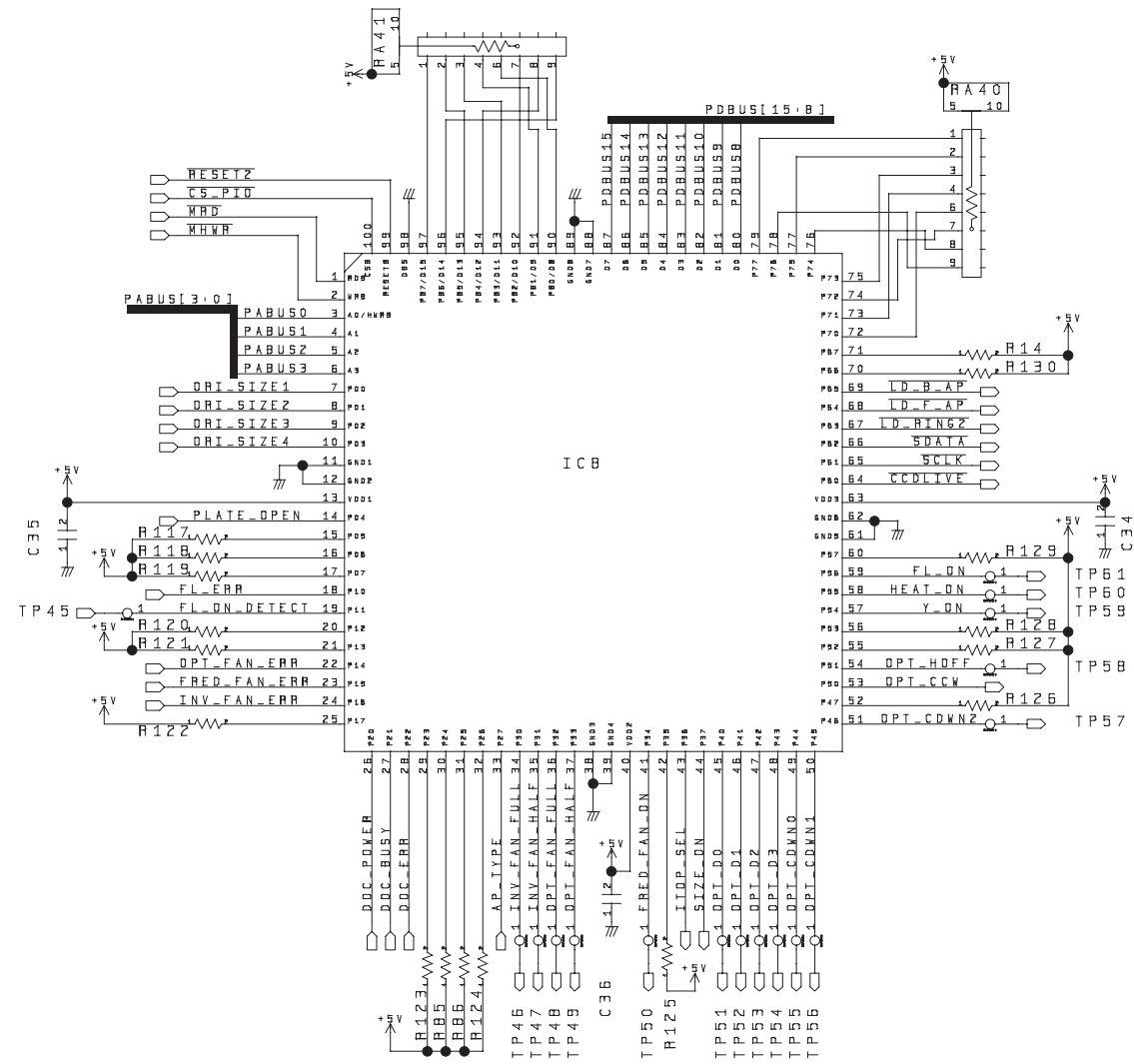
F-1-29

READER CONTROLLER PCB4/12)
iR105i/iR105+ / iR9070



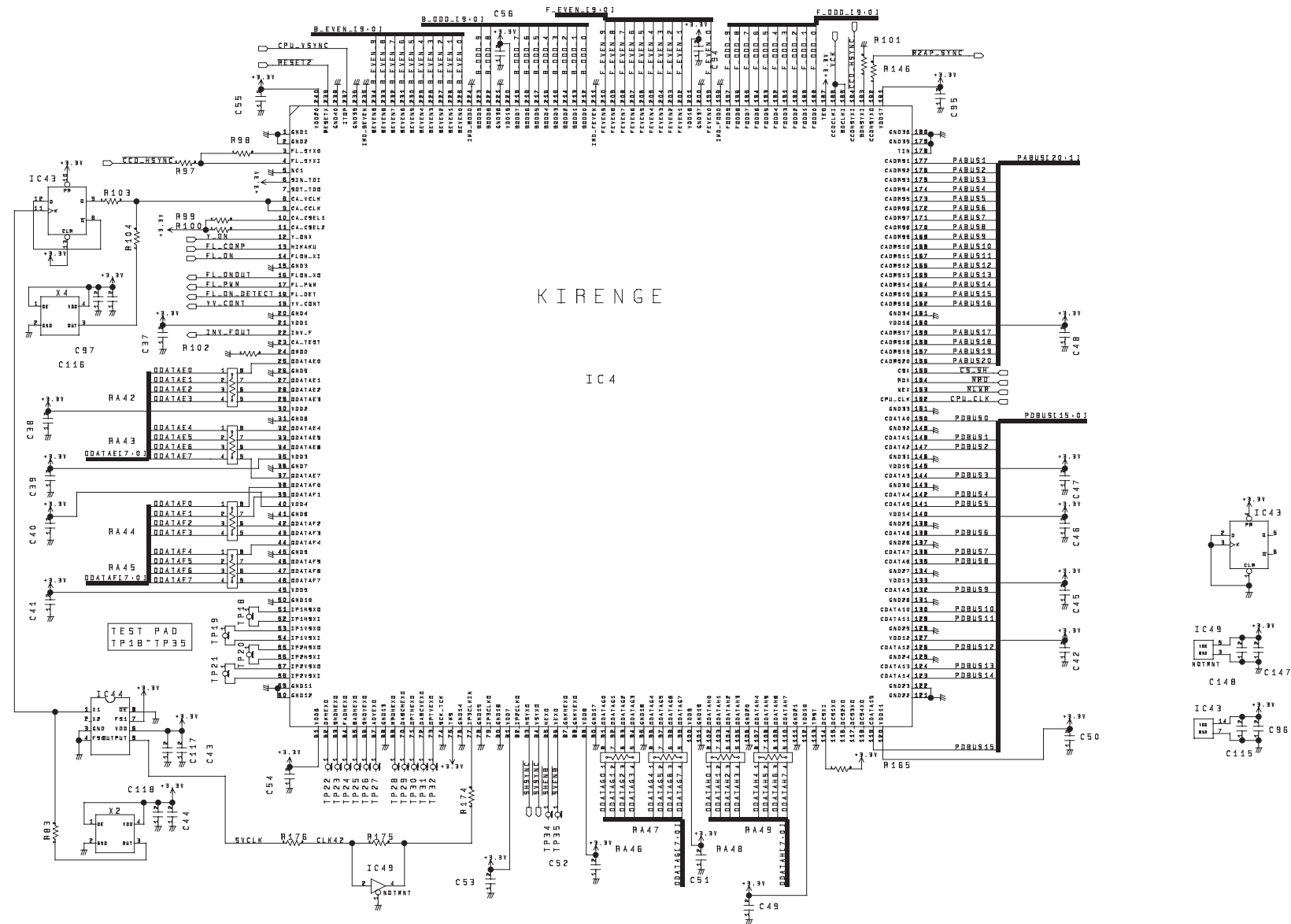
F-1-30

READER CONTROLLER PCB(5/12)
iR105i/iR105+ / iR9070

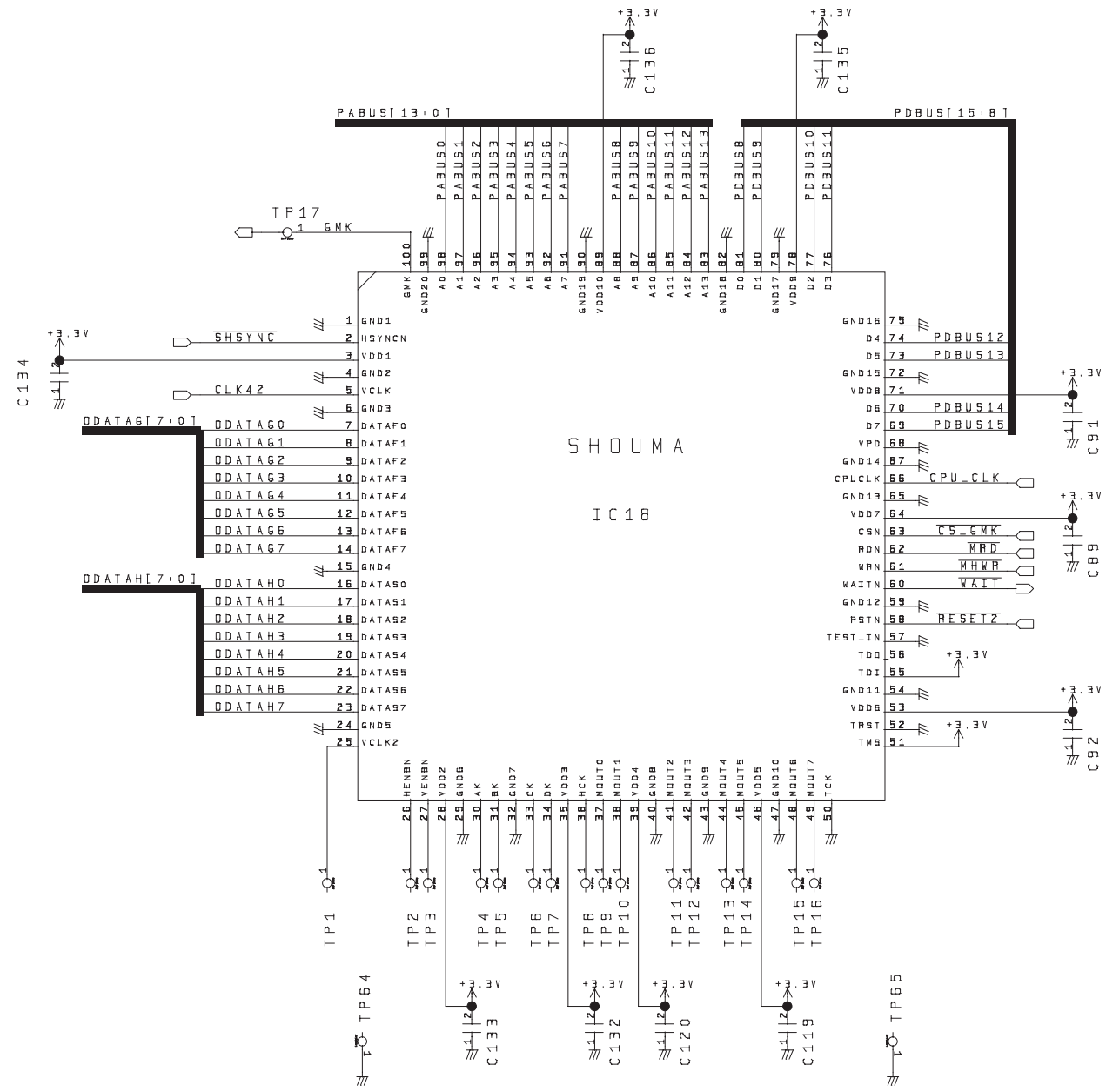


F-1-31

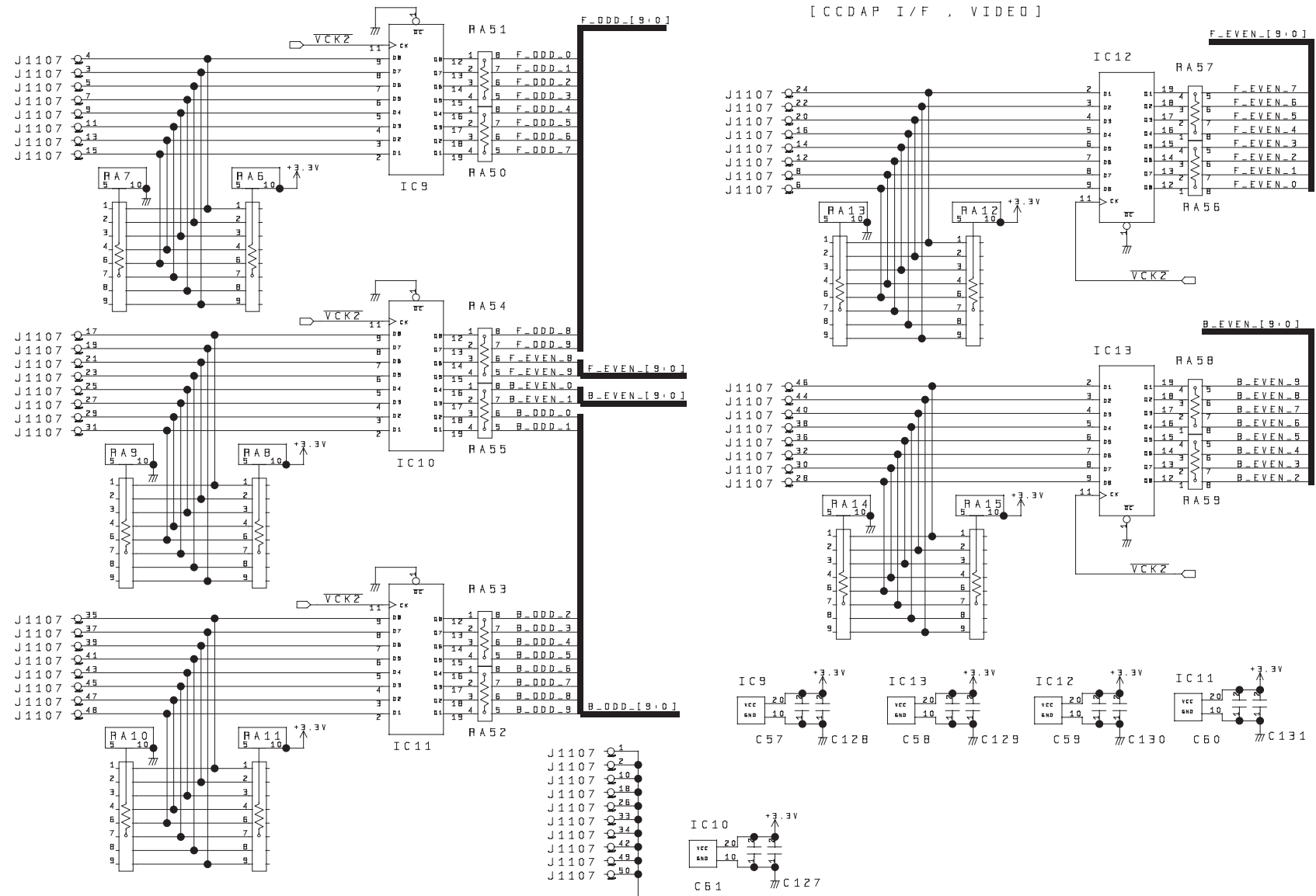
READER CONTROLLER PCB(6/12)
iR105i/iR105+ / iR9070



READER CONTROLLER PCB(7/12)
iR105i/iR105+ / iR9070

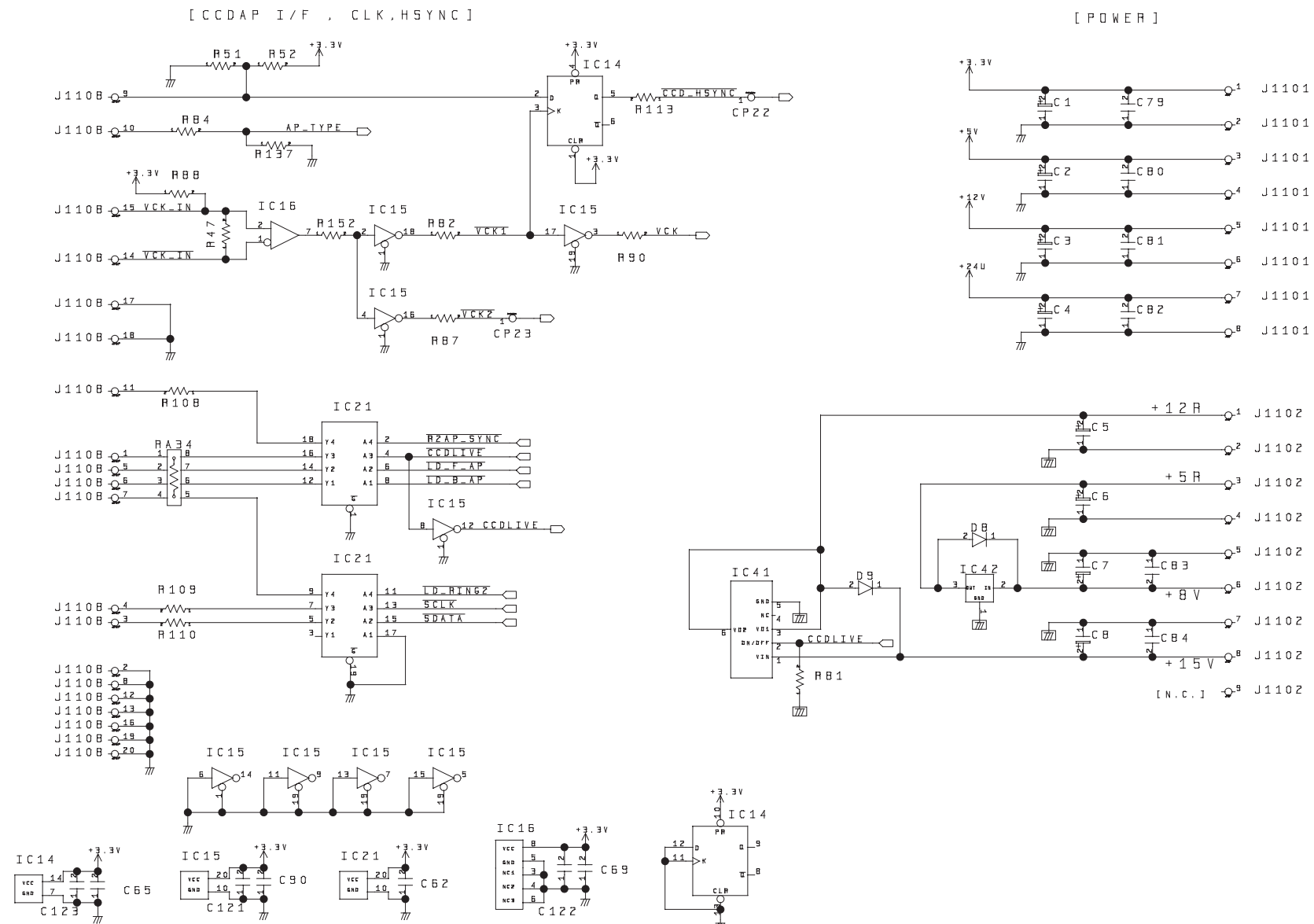


READER CONTROLLER PCB(8/12)
iR105i/iR105+ / iR9070



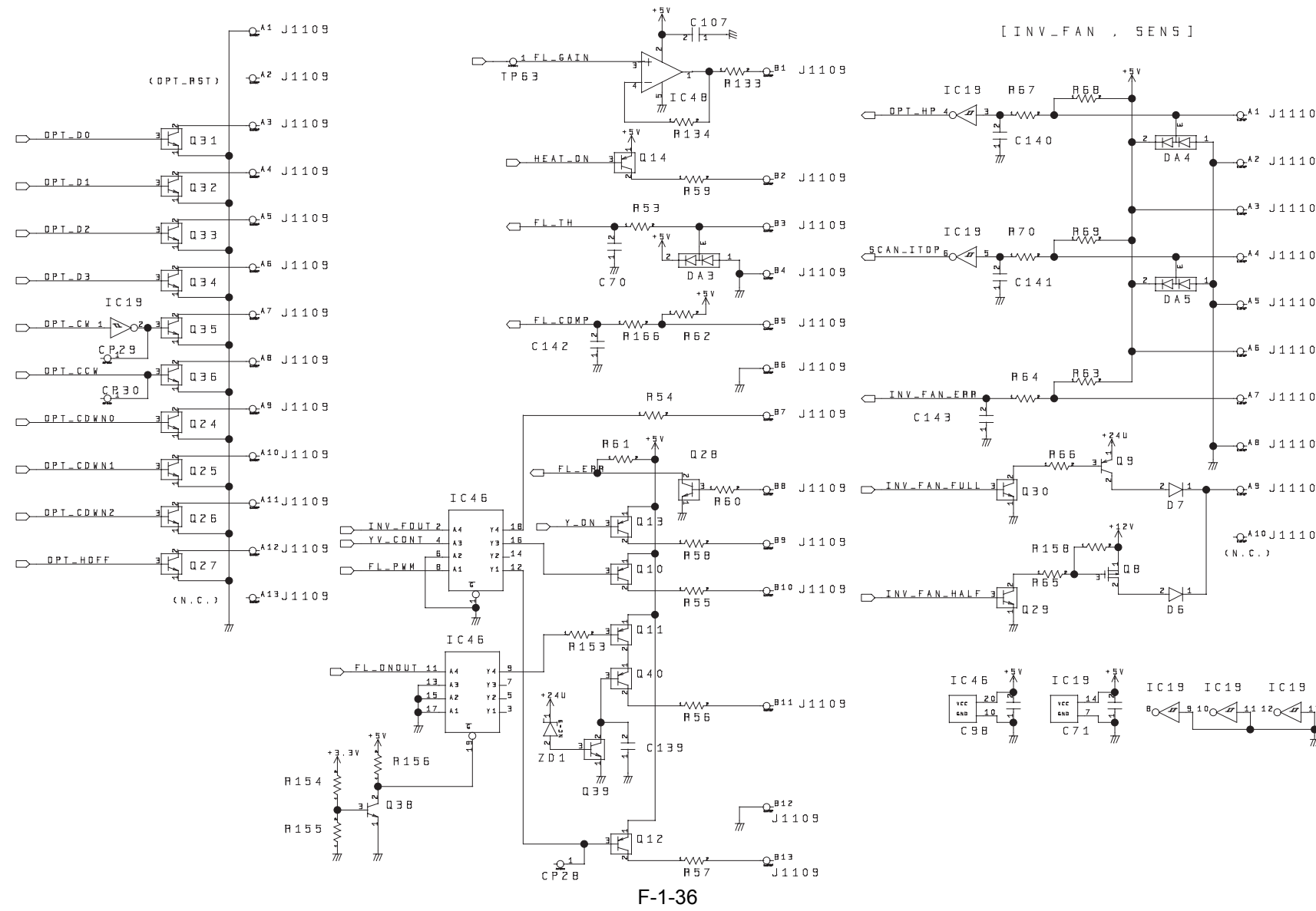
F-1-34

READER CONTROLLER PCB(9/12)
iR105i/iR105+ / iR9070

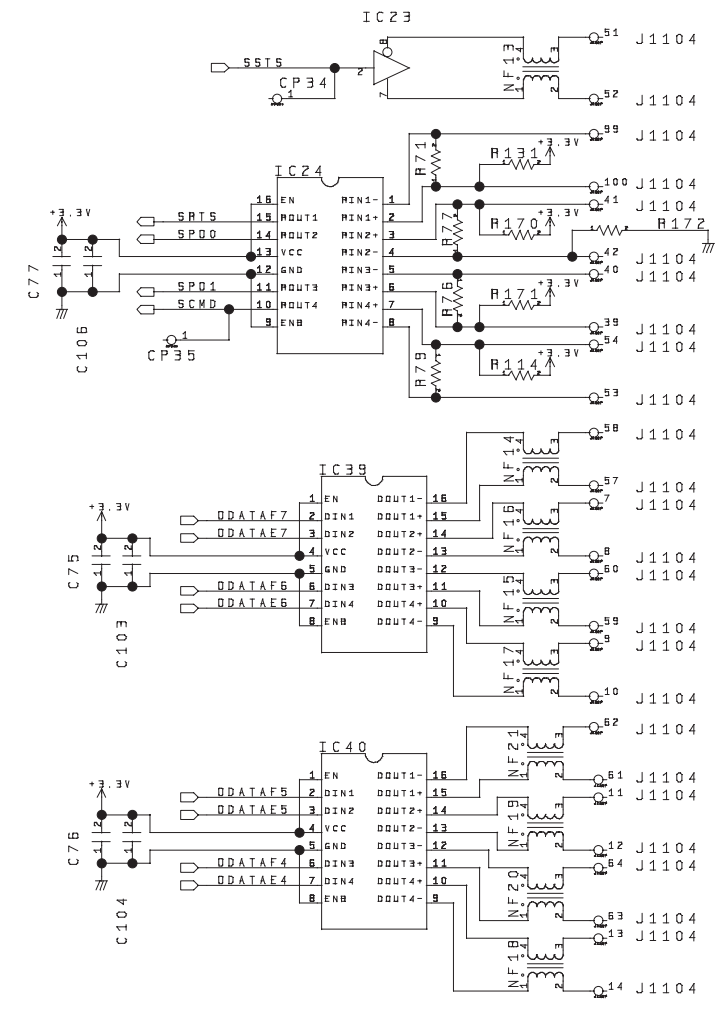
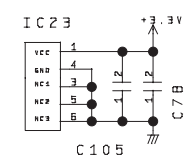
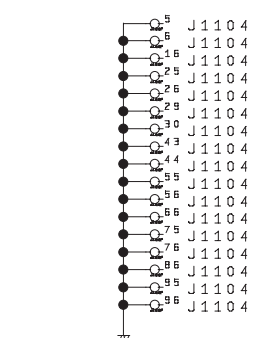
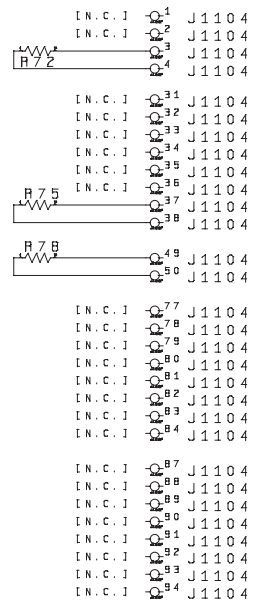
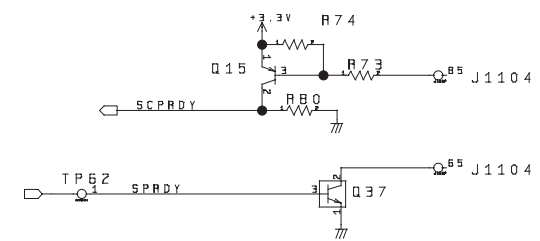
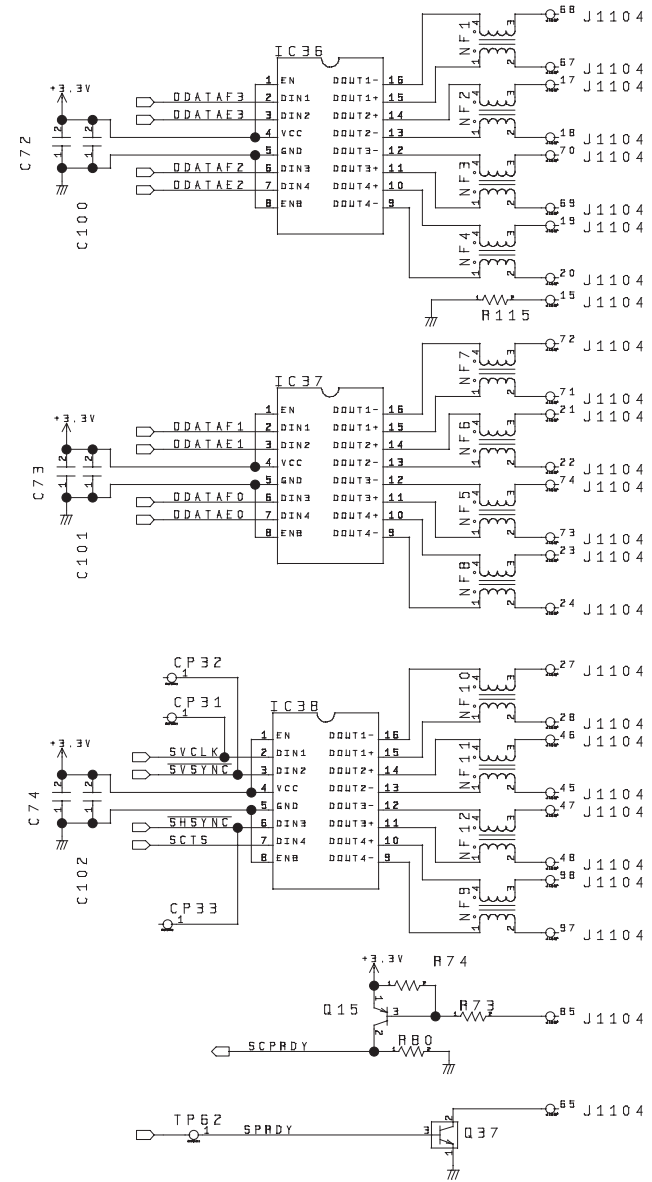


F-1-35

READER CONTROLLER PCB(10/12)
iR105i/iR105+ / iR9070

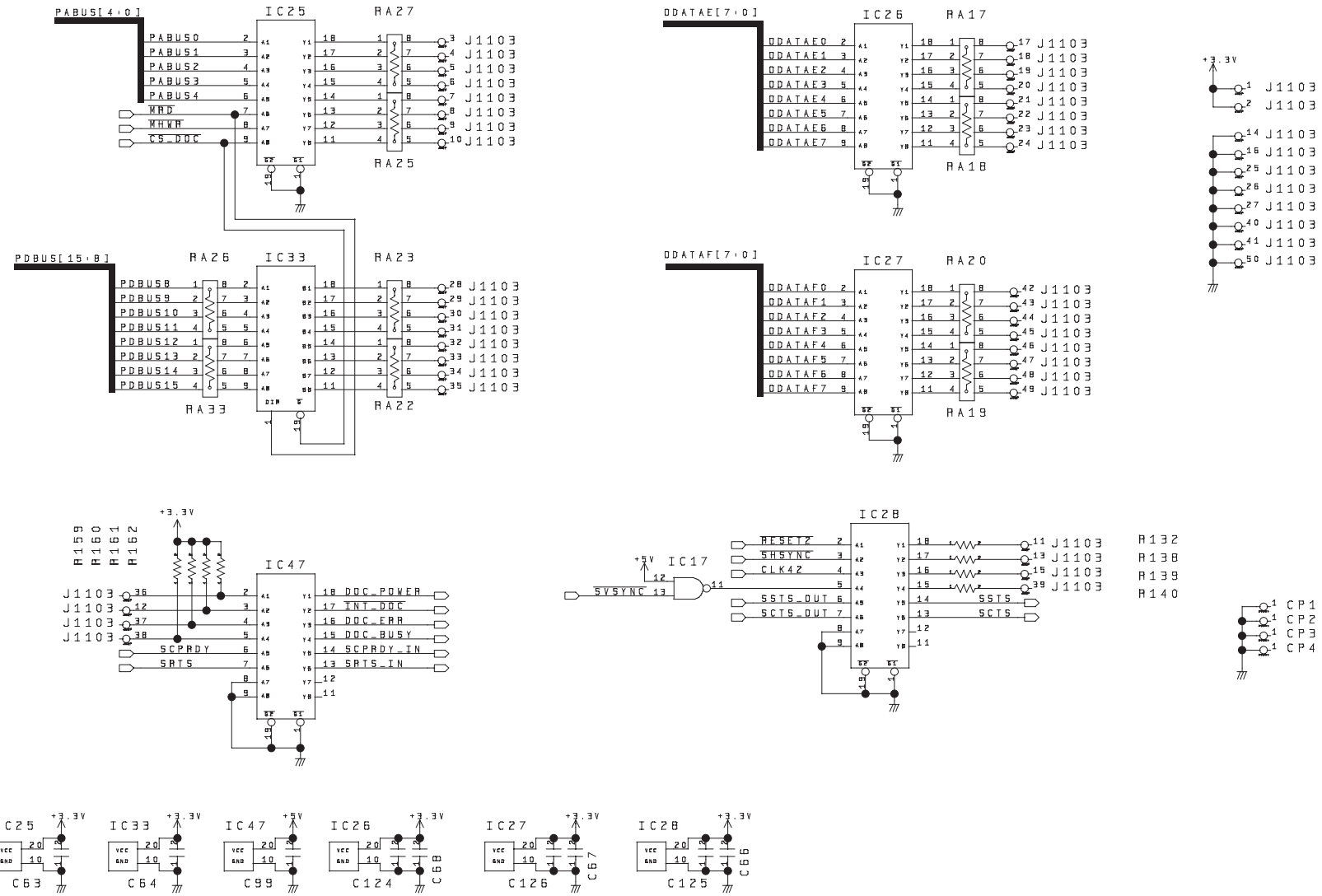


READER CONTROLLER PCB(11/12)
iR105i/iR105+ / iR9070

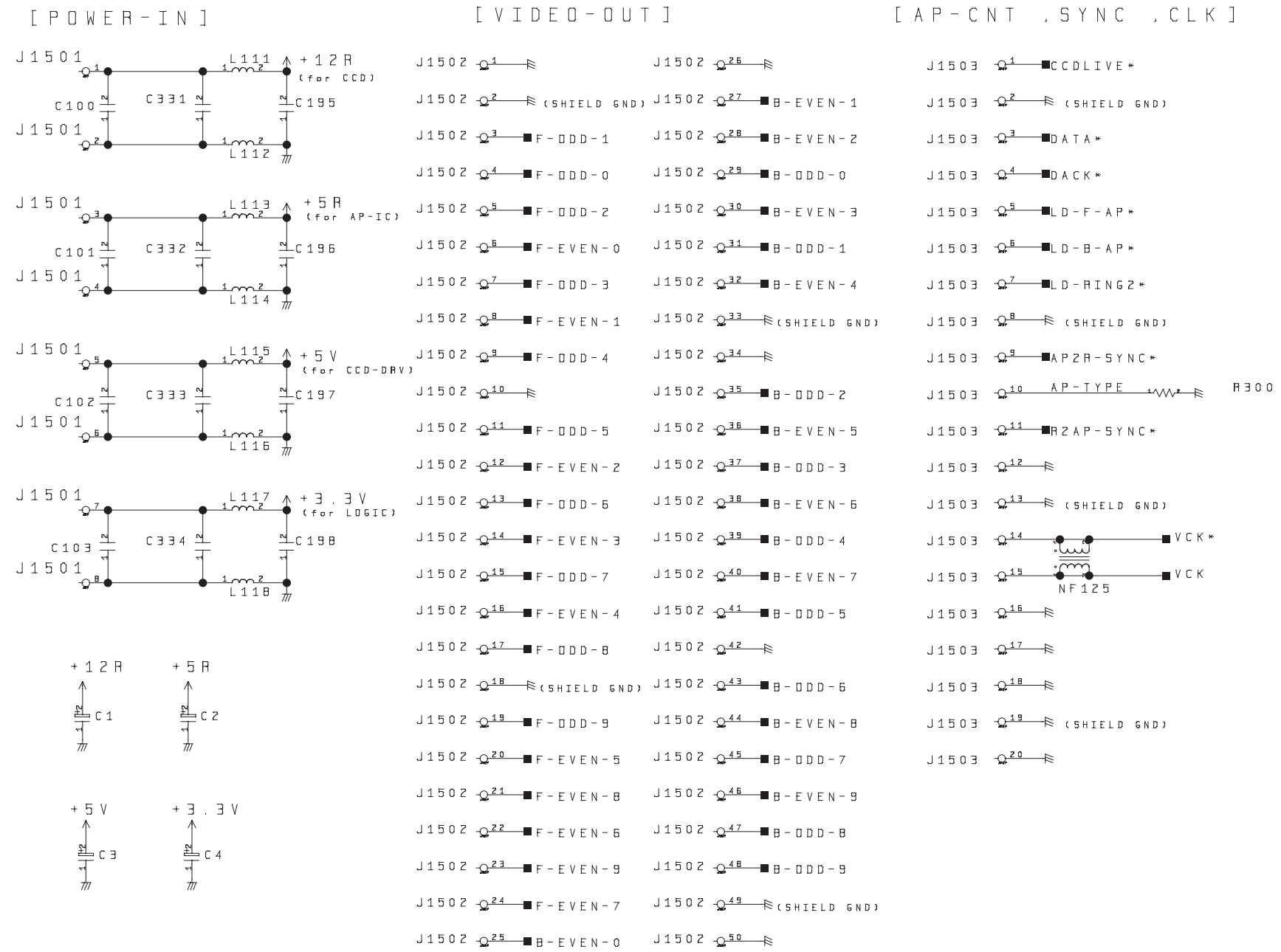


READER CONTROLLER PCB(12/12)
iR105i/iR105+ / iR9070

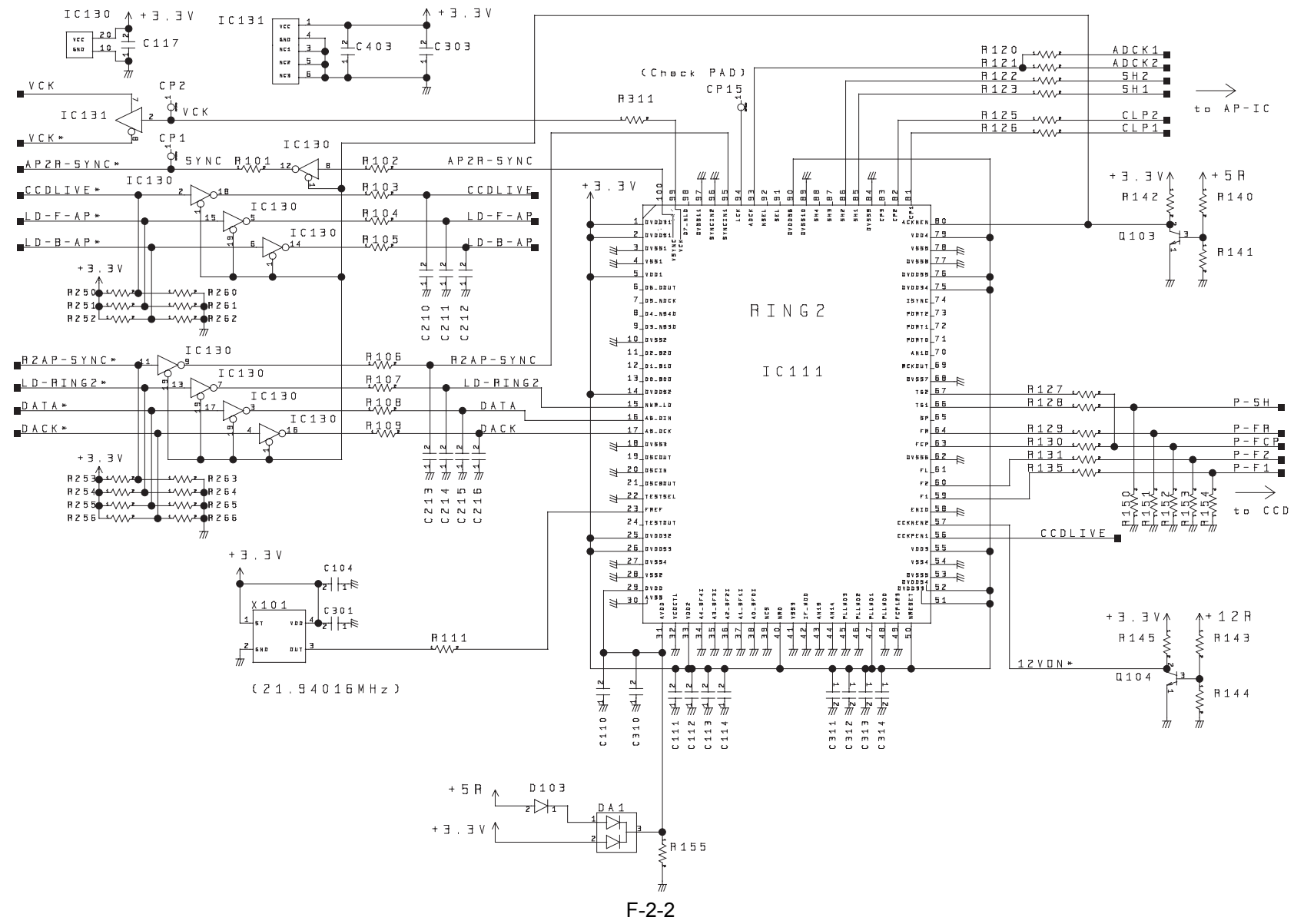
F-1-37



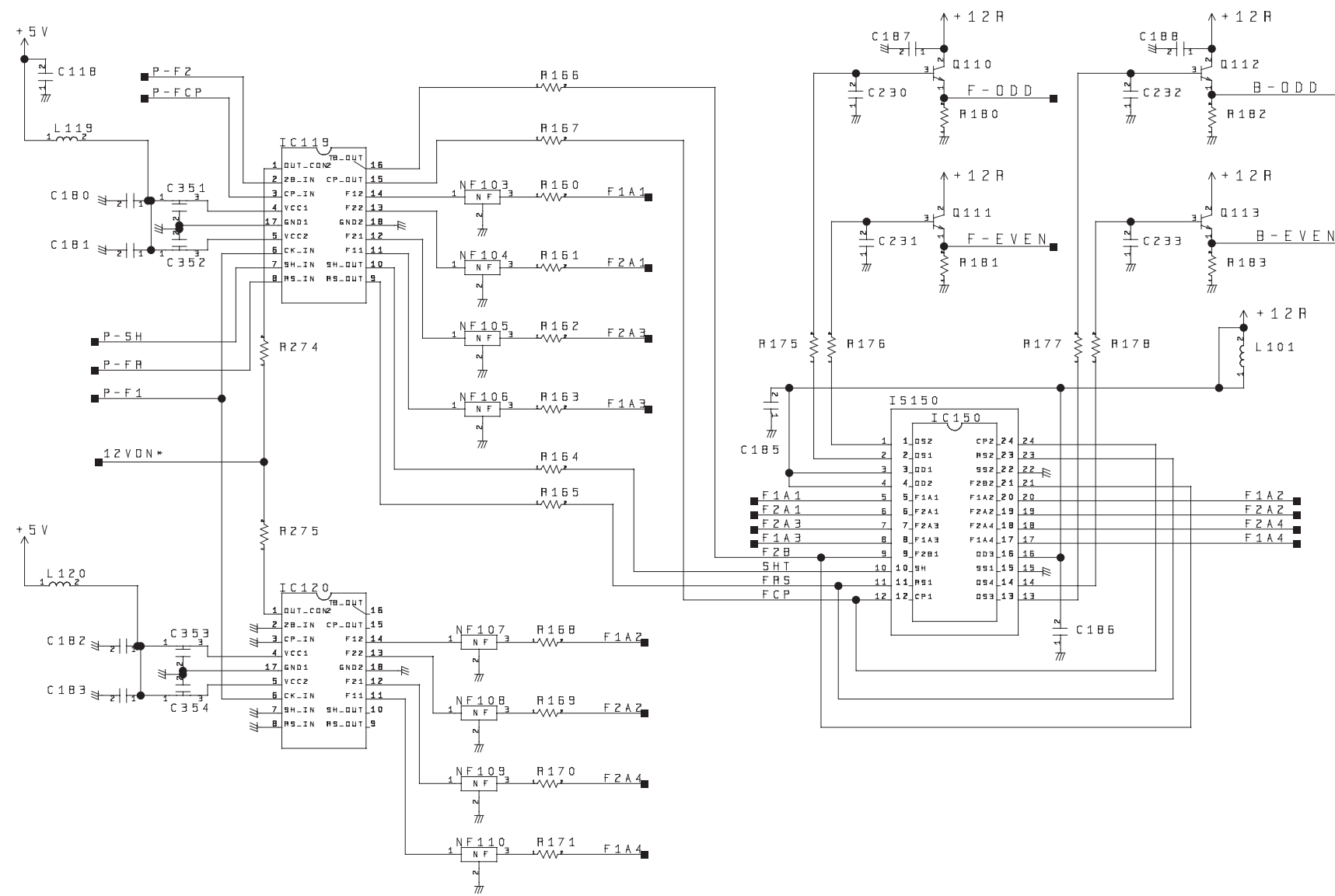
F-1-38



F-2-1

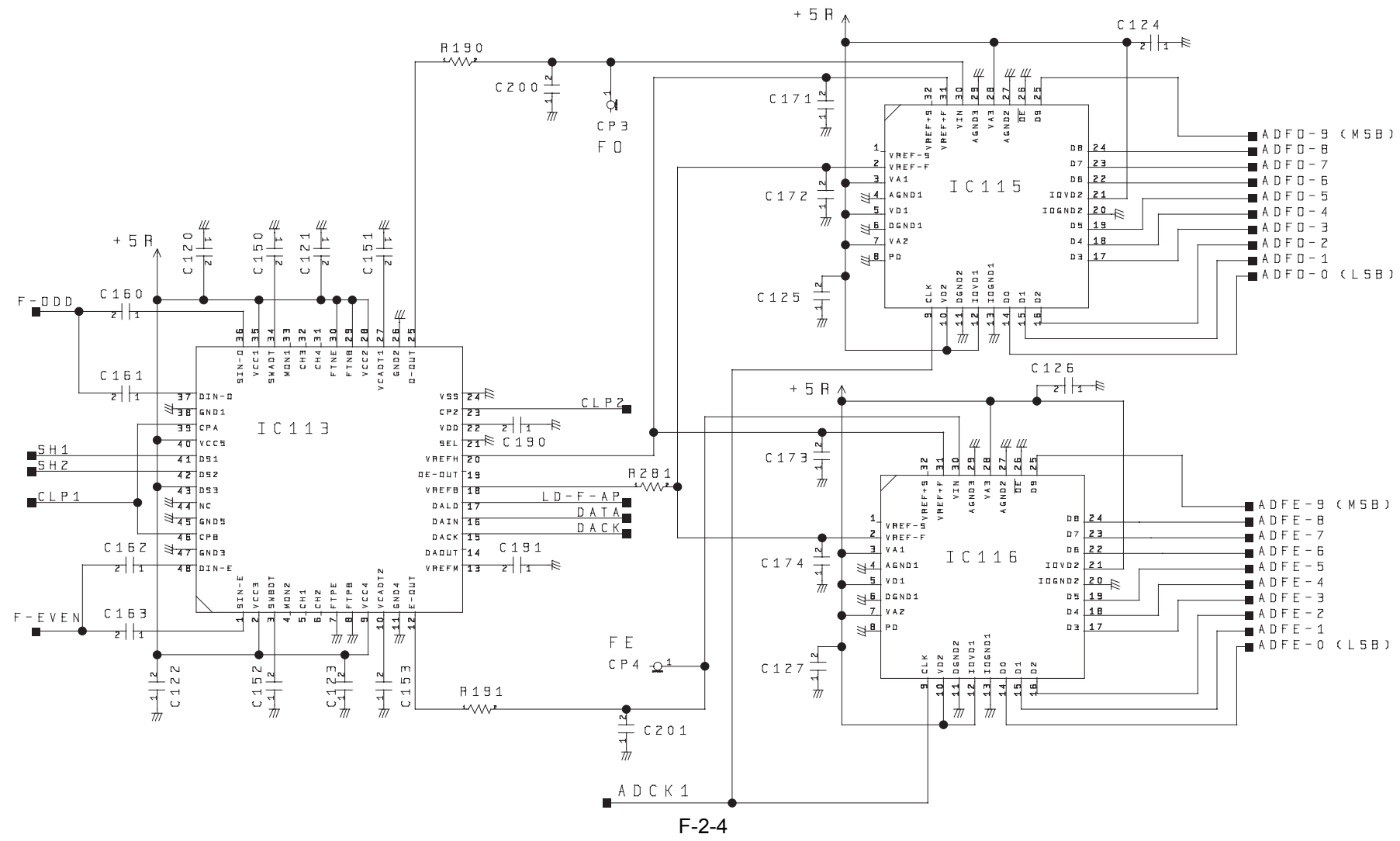


CCD/AP PCB(3/6)
iR105i/iR105+ / iR9070

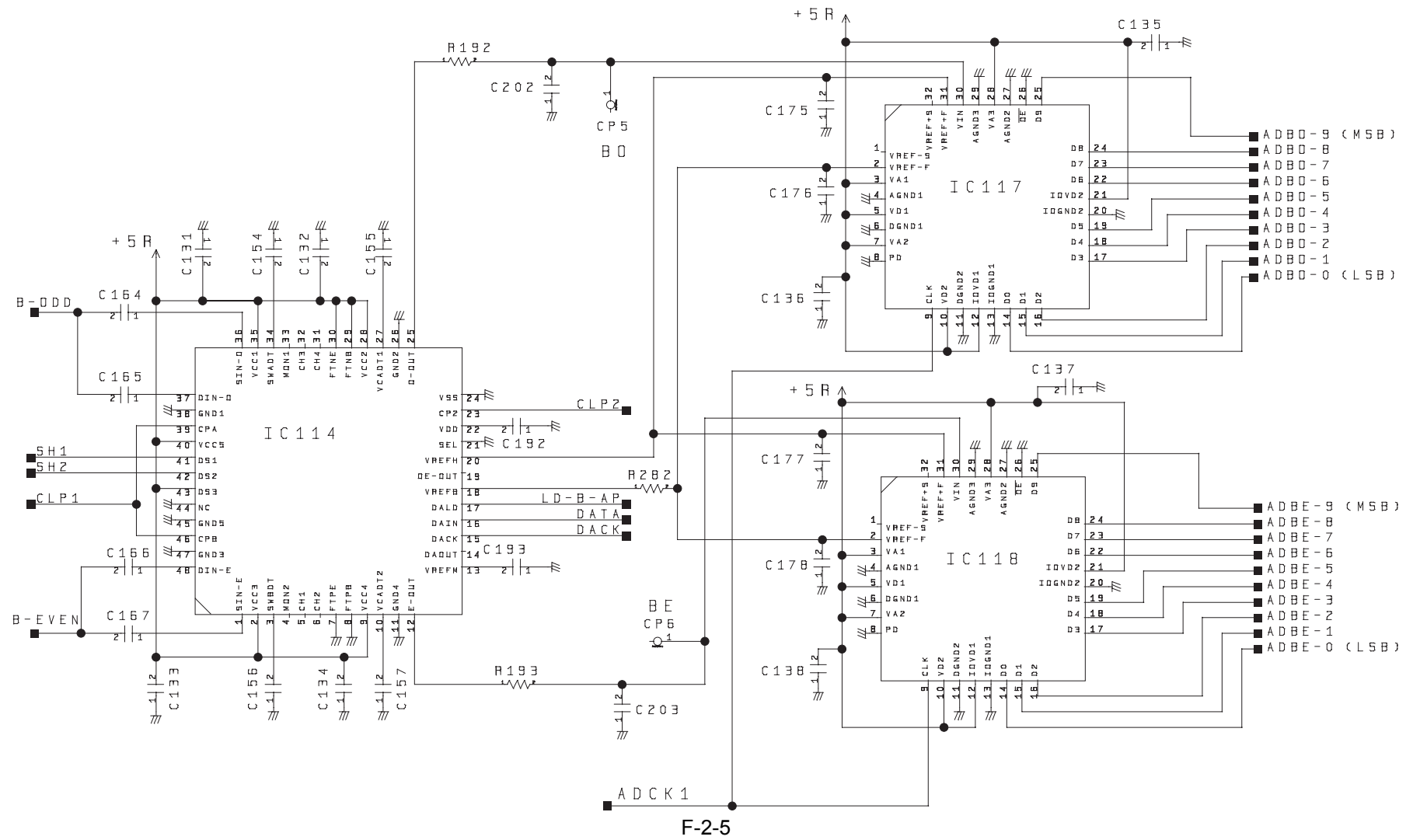


F-2-3

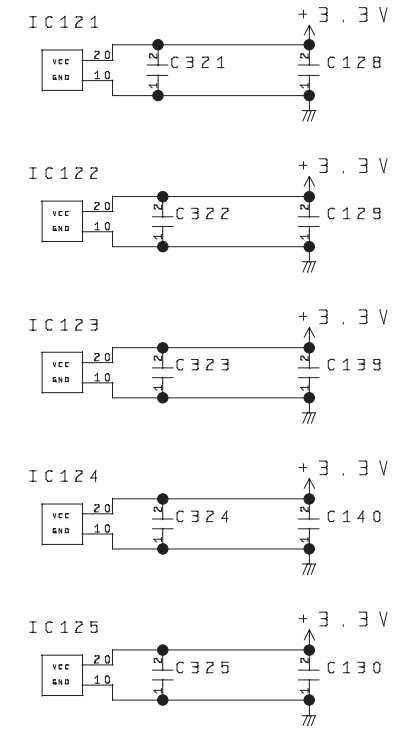
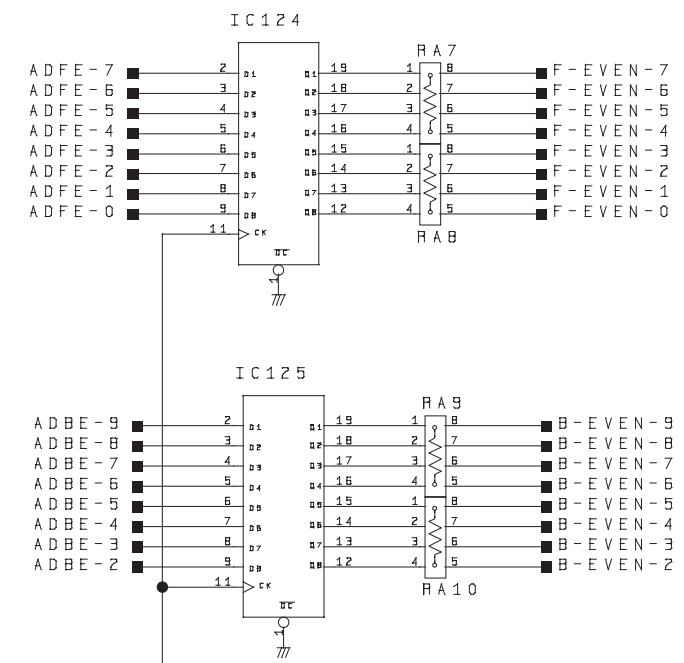
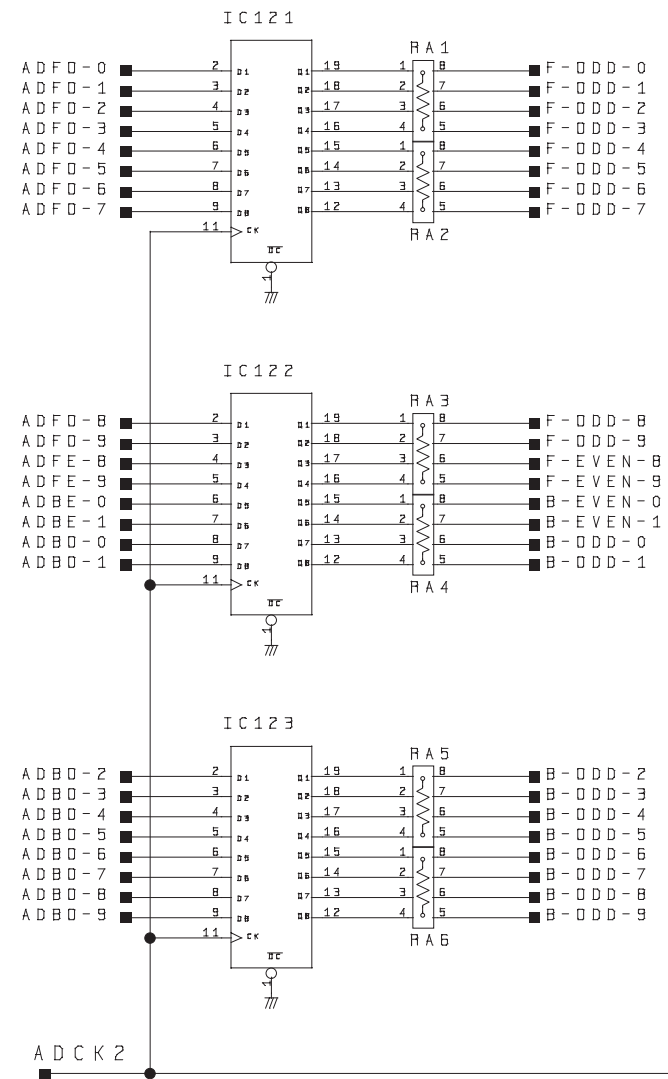
CCD/AP PCB(4/6)
iR105i/iR105+ / iR9070



CCD/AP PCB(5/6)
iR105i/iR105+ / iR9070

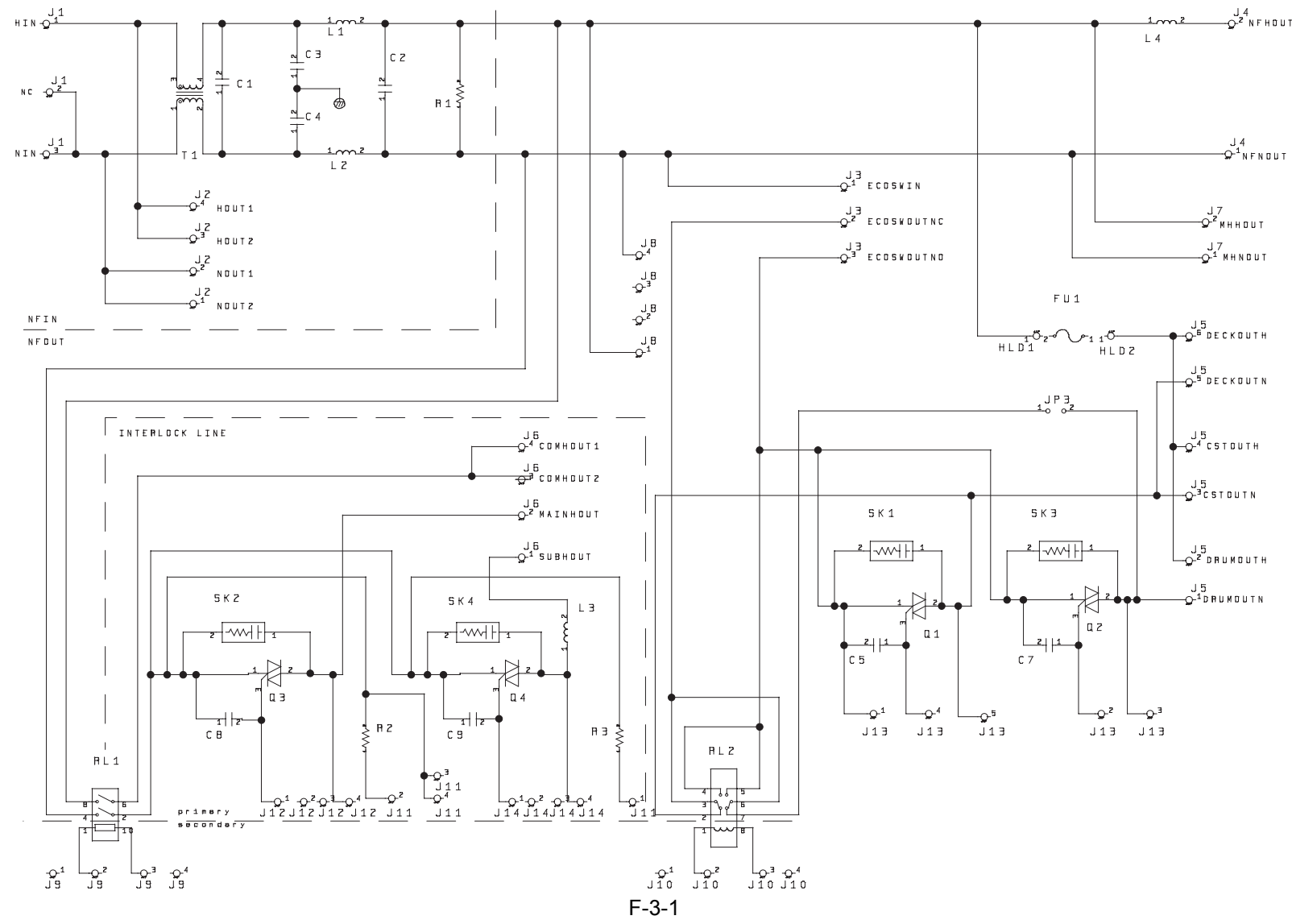


CCD/AP PCB(6/6)
iR105i/iR105+ / iR9070

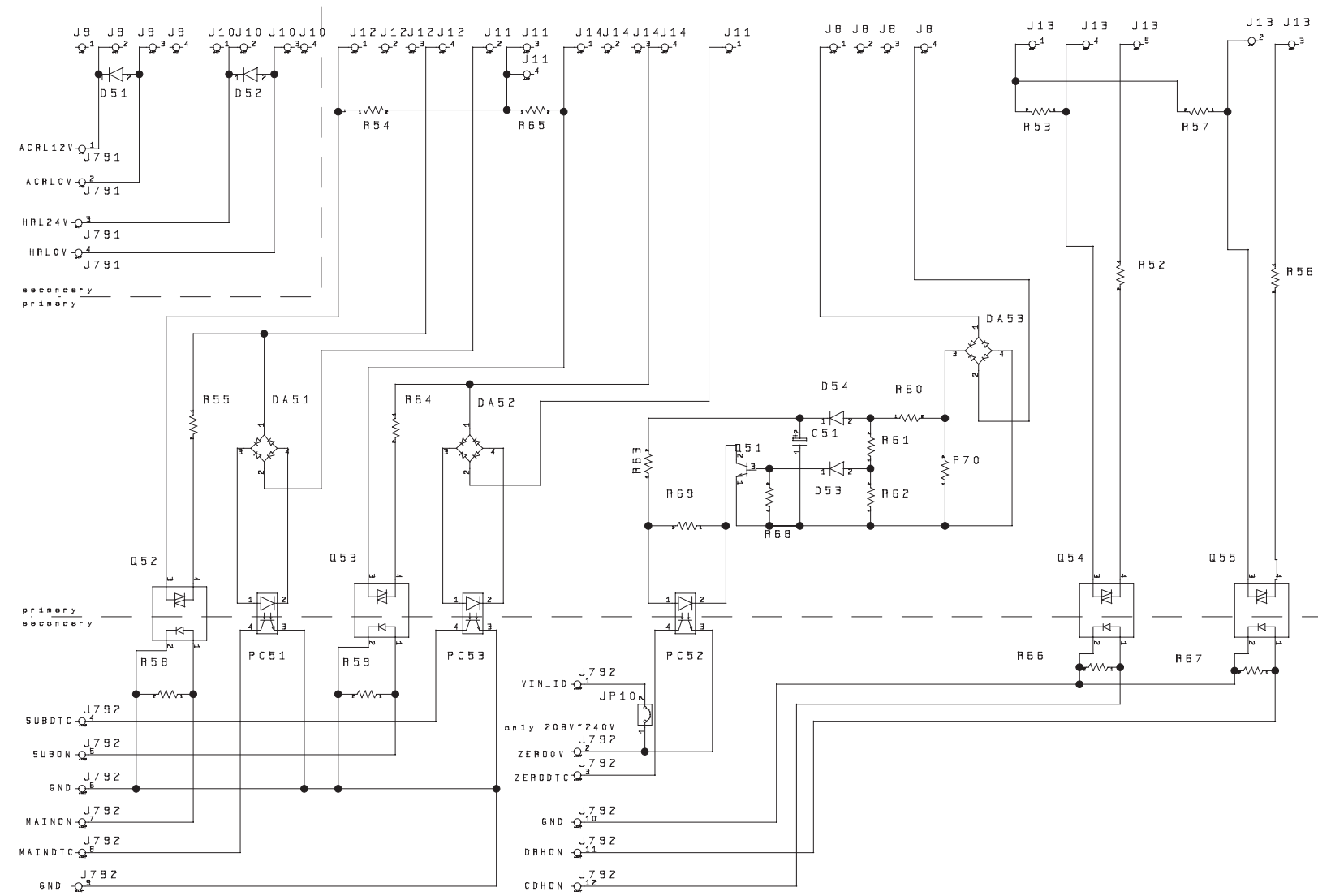


F-2-6

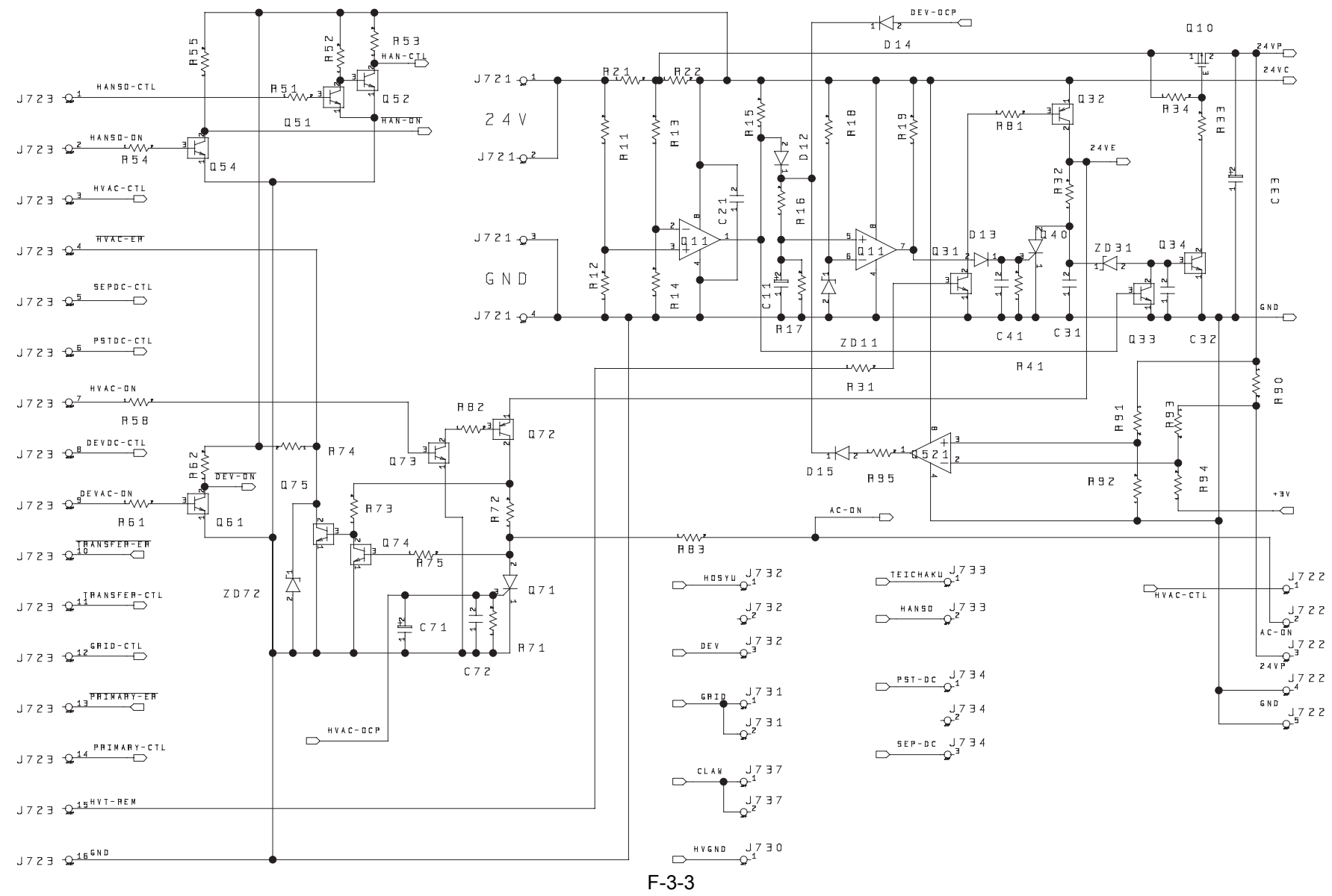
3 Printer unit
 AC Driver PCB
 AC DRIVER PCB(1/1)
 iR105i/iR105+ / iR9070



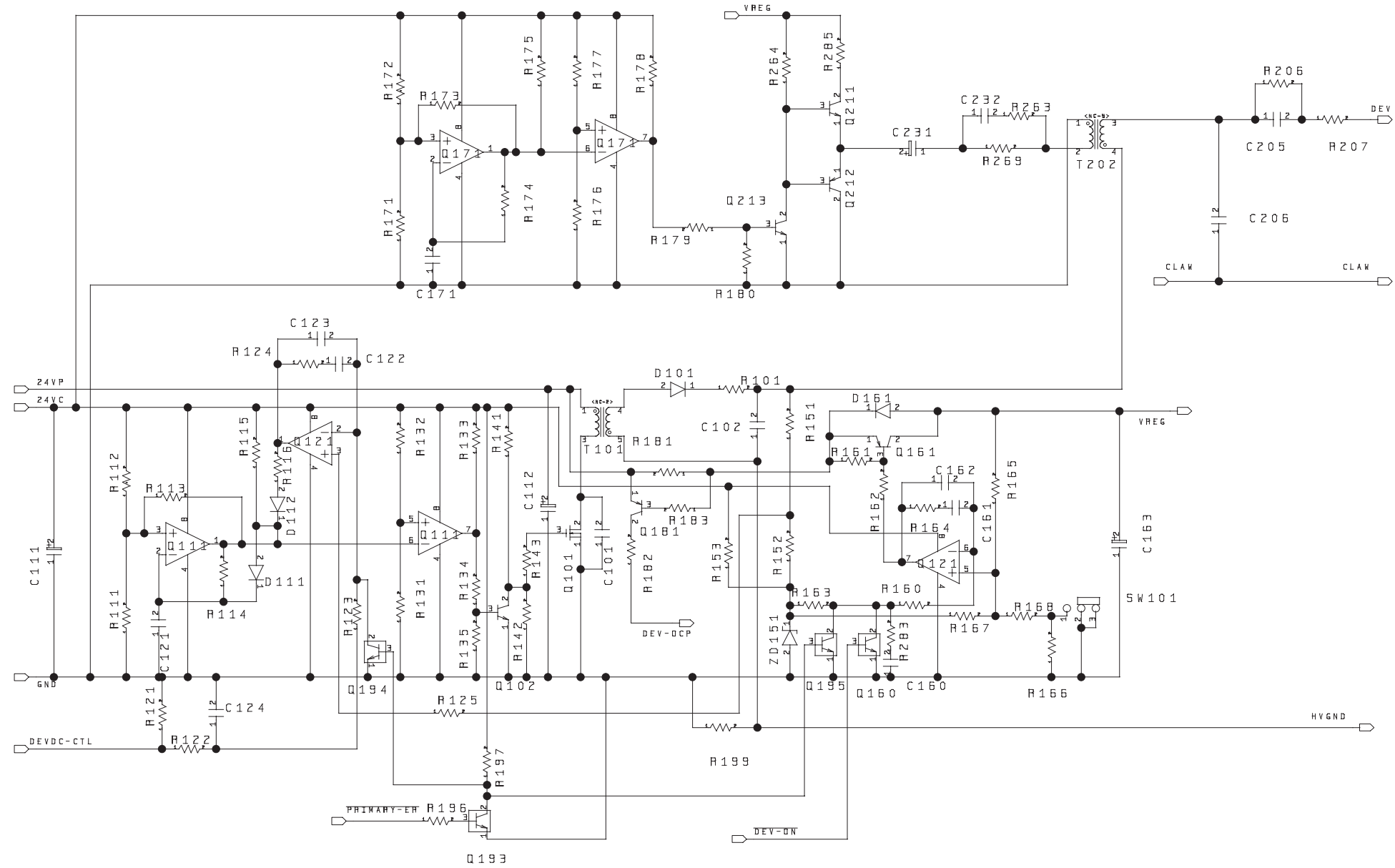
AC DRIVER SUB PCB(1/1)
 iR105i/iR105+ / iR9070



HVT PCB
 HV-DC PCB(1/6)
 iR105i/iR105+ / iR9070

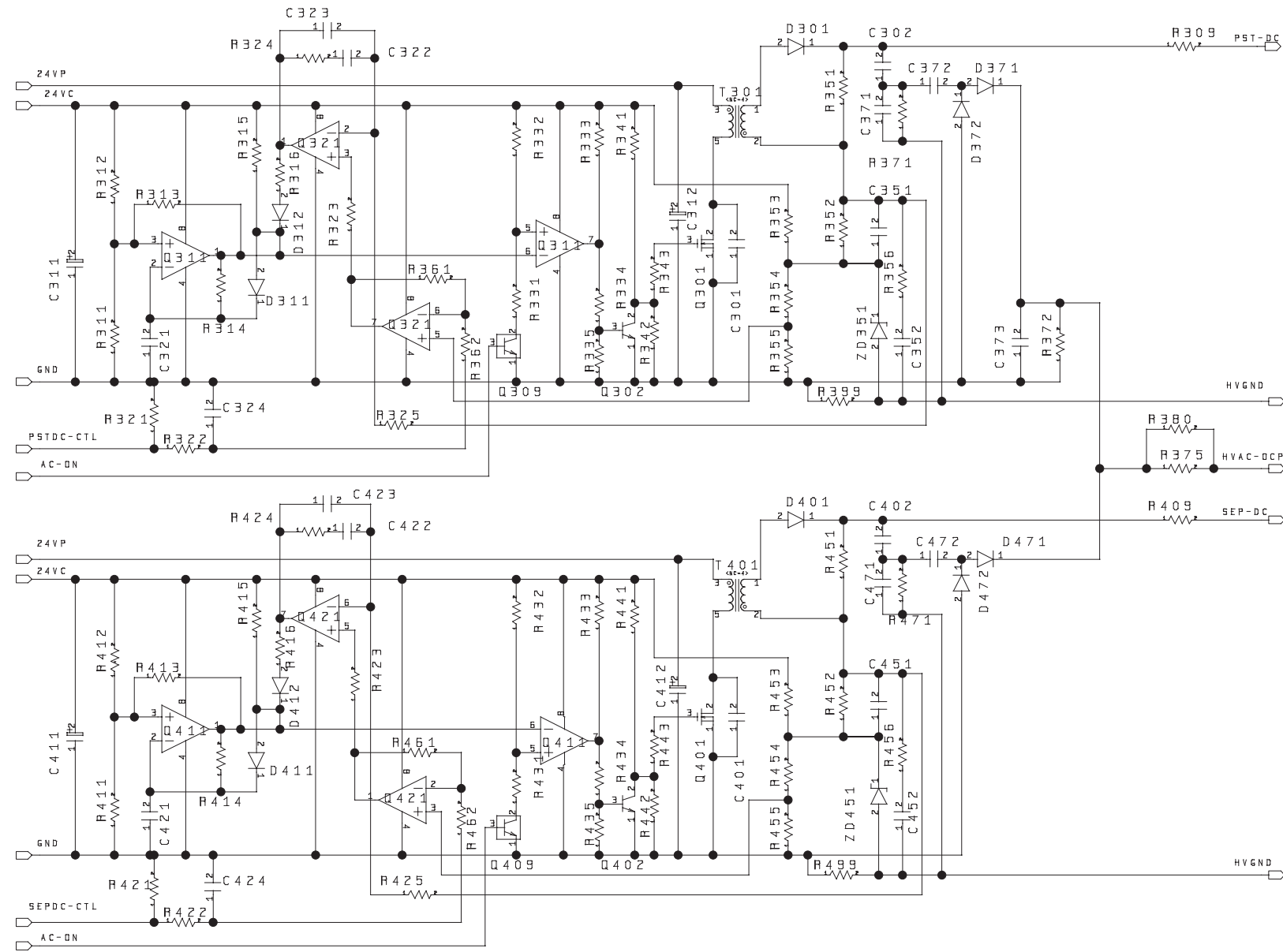


HV-DC PCB(2/6)
iR105i/iR105+ / iR9070



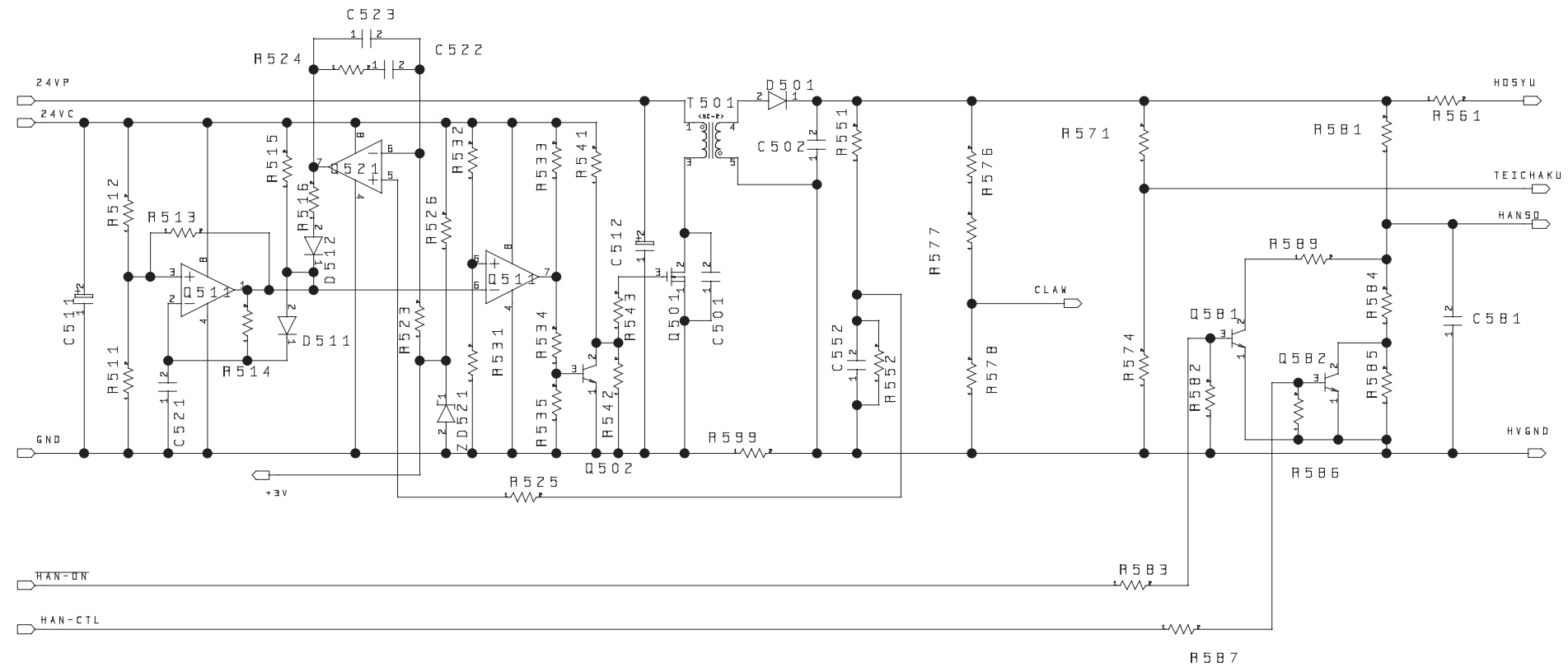
F-3-4

HV-DC PCB(3/6)
iR105i/iR105+ / iR9070



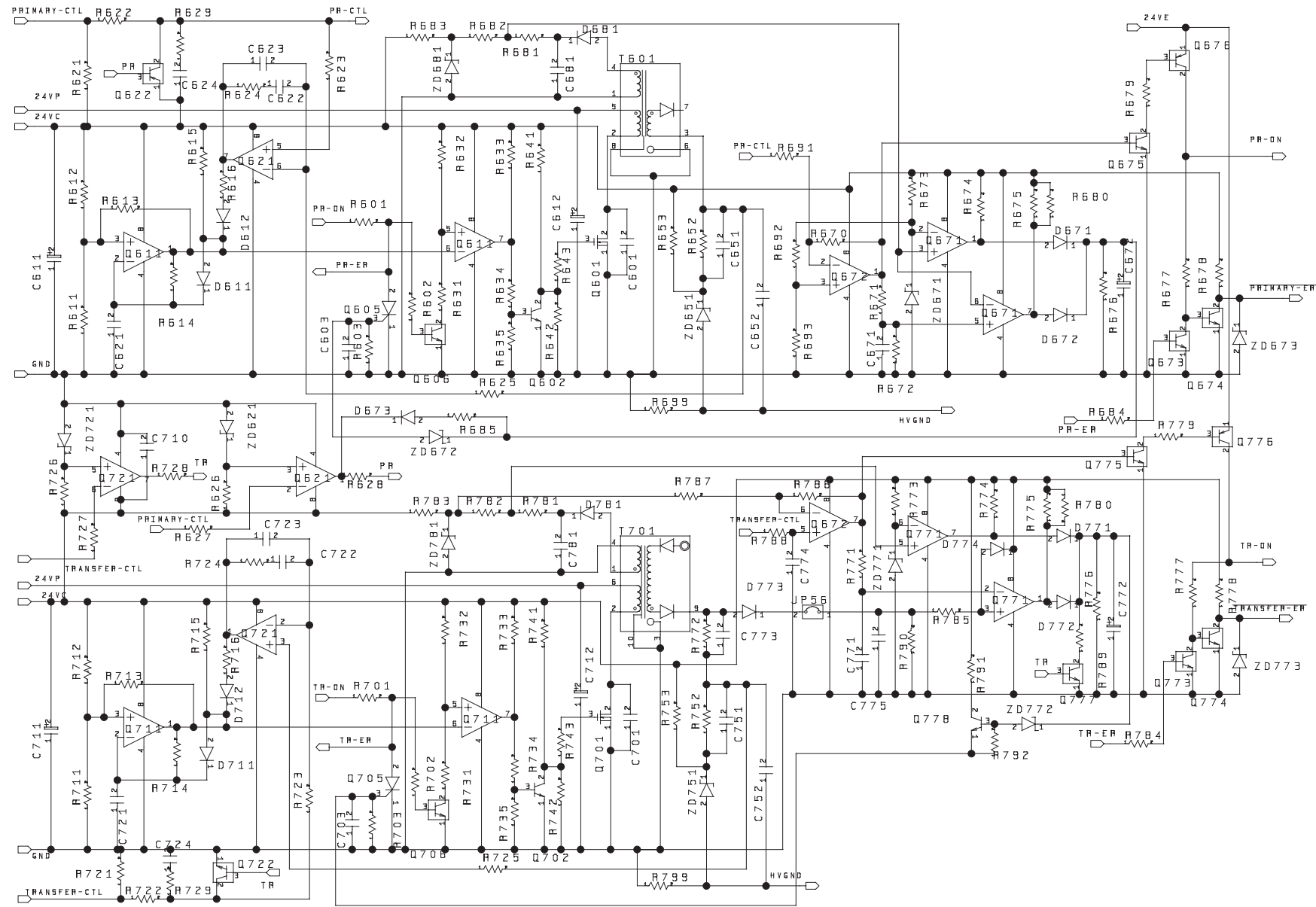
F-3-5

HV-DC PCB(4/6)
iR105i/iR105+ / iR9070



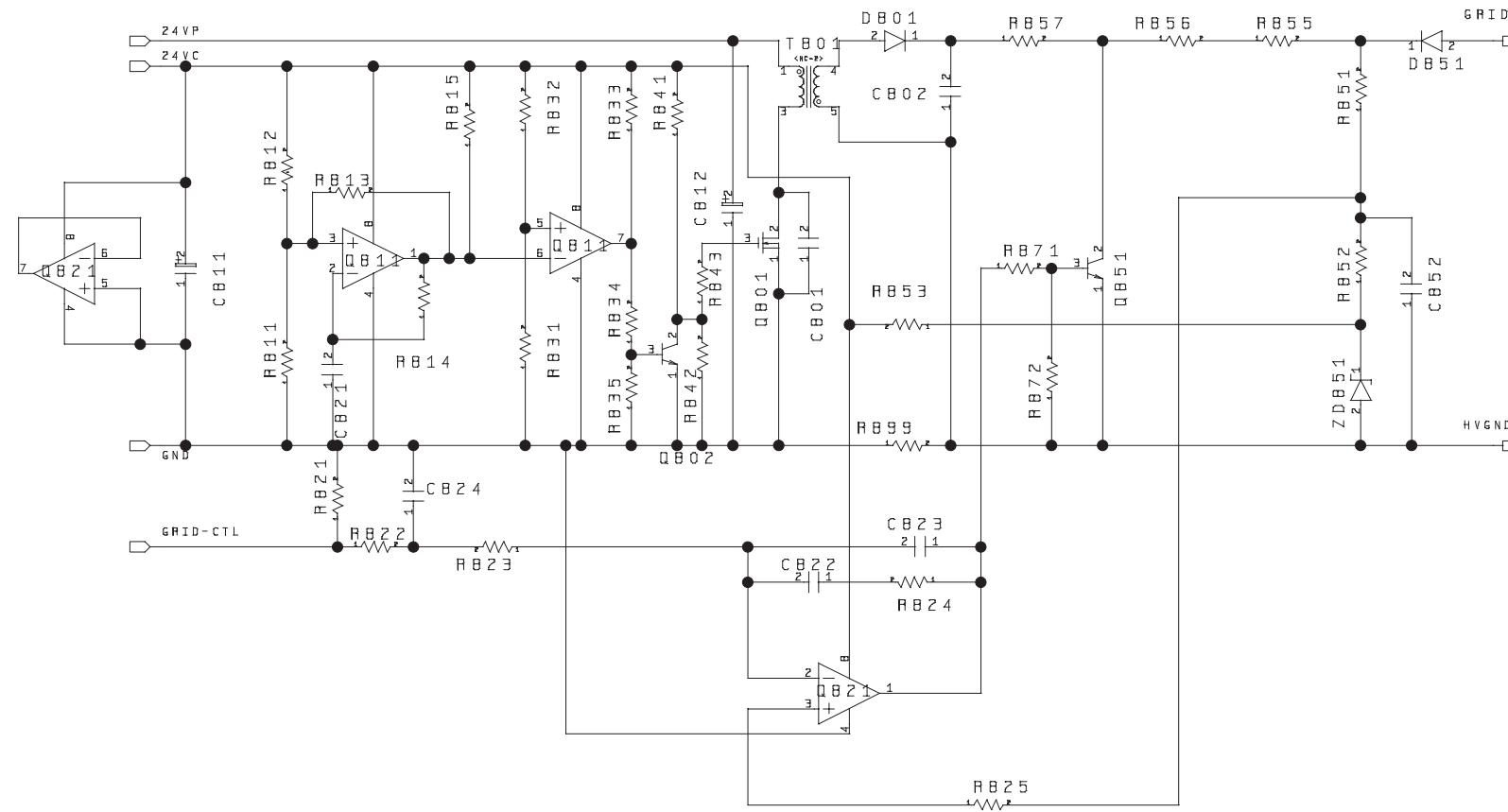
F-3-6

HV-DC PCB(5/6)
iR105i/iR105+ / iR9070



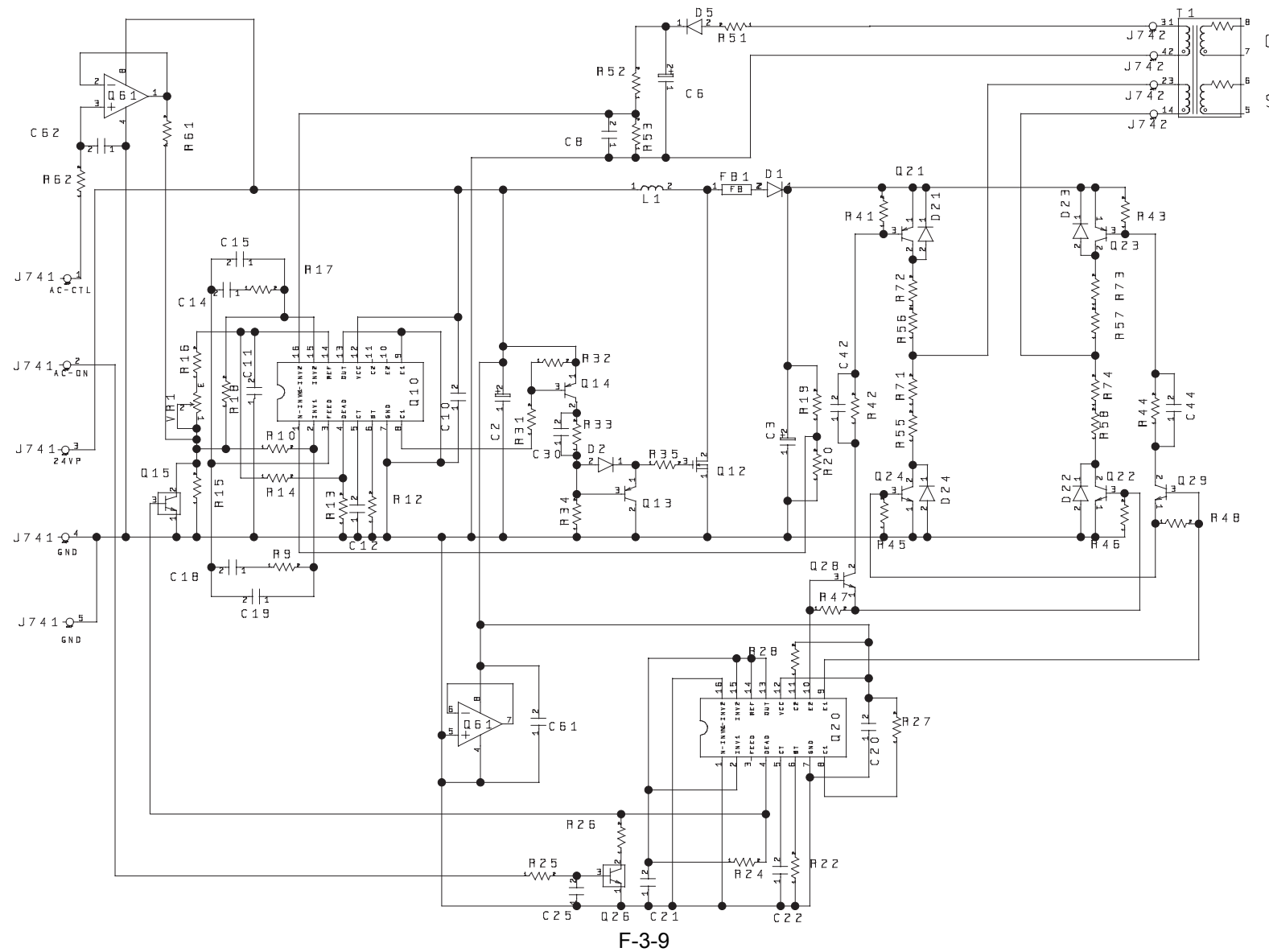
F-3-7

HV-DC PCB(6/6)
iR105i/iR105+ / iR9070

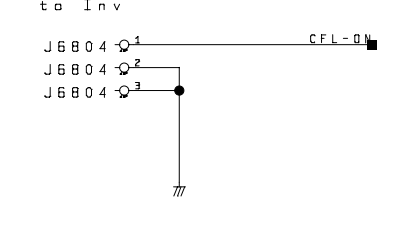
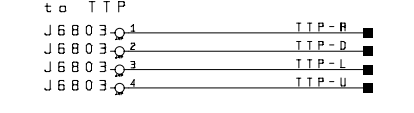
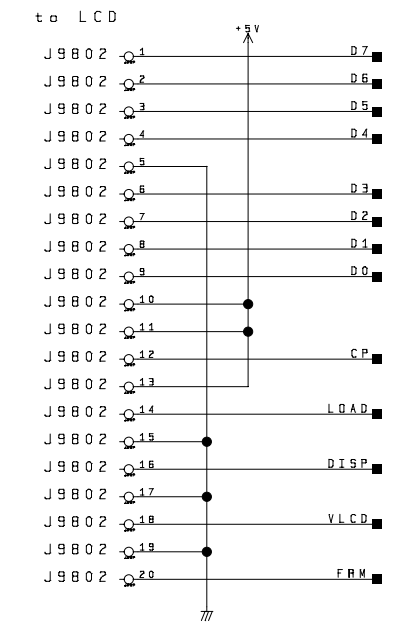
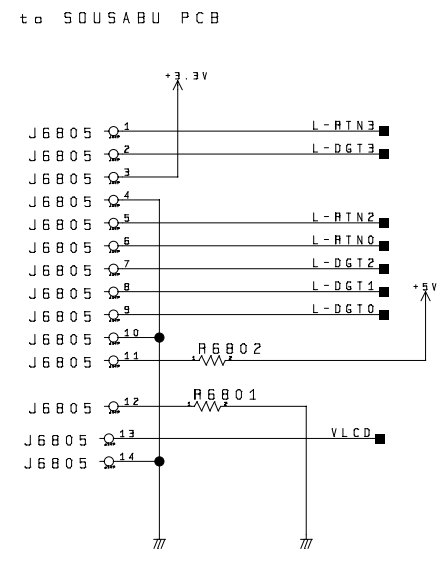
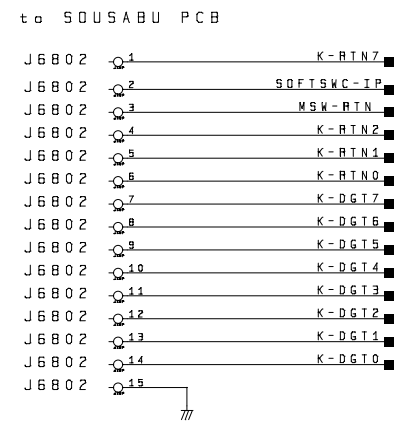
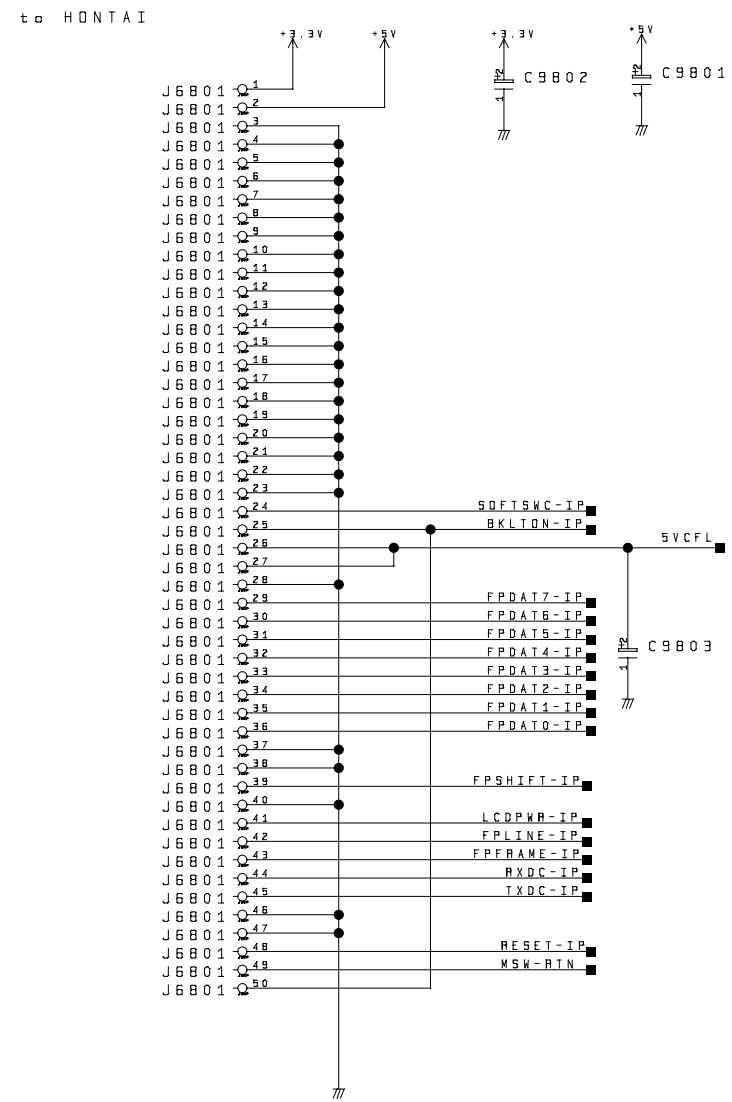


F-3-8

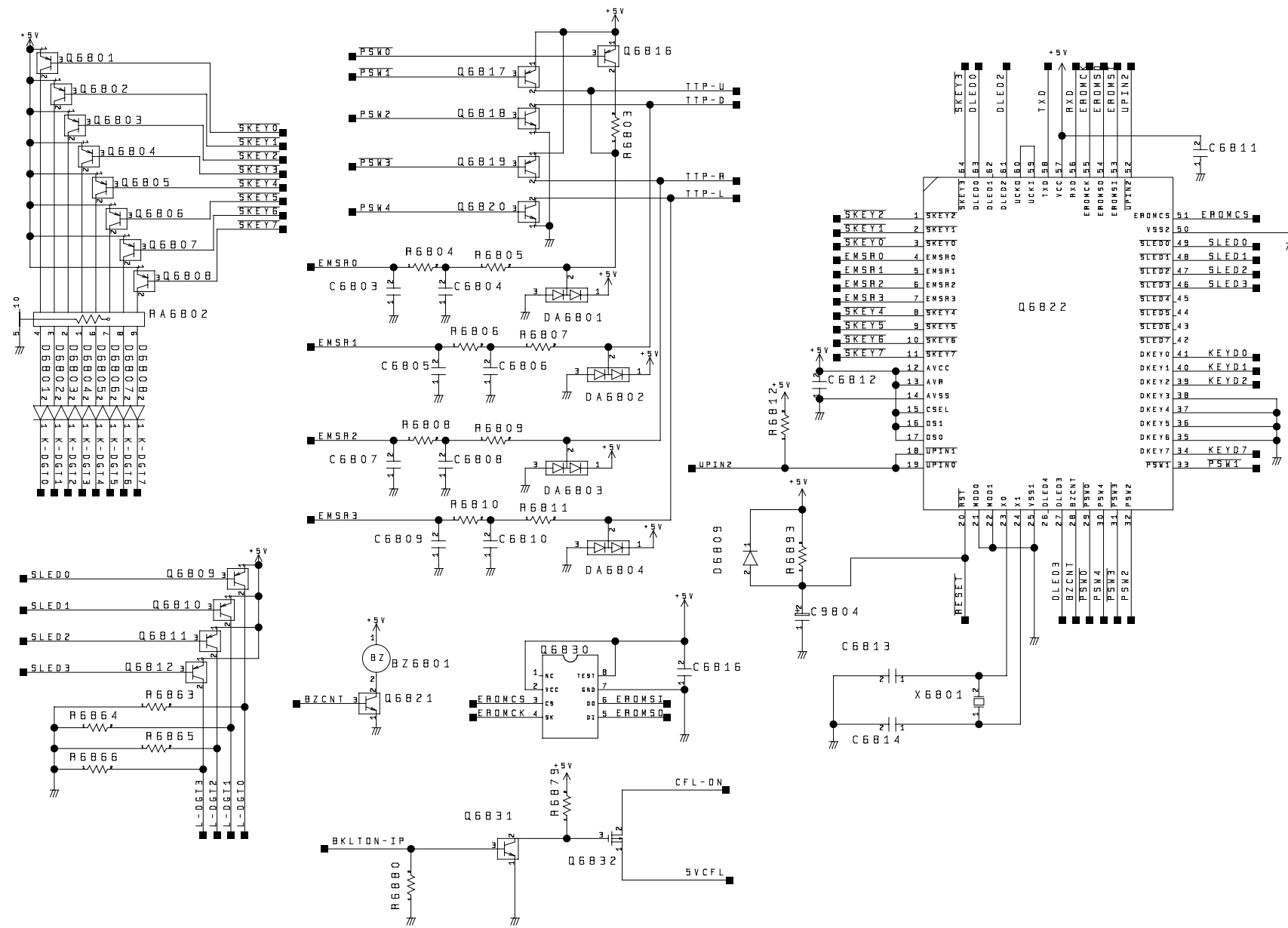
HV-AC PCB(1/1)
iR105i/iR105+ / iR9070



Control Panel CPU PCB
 CONTROL PANEL CPU PCB(1/3)
 iR105i/iR105+ / iR9070

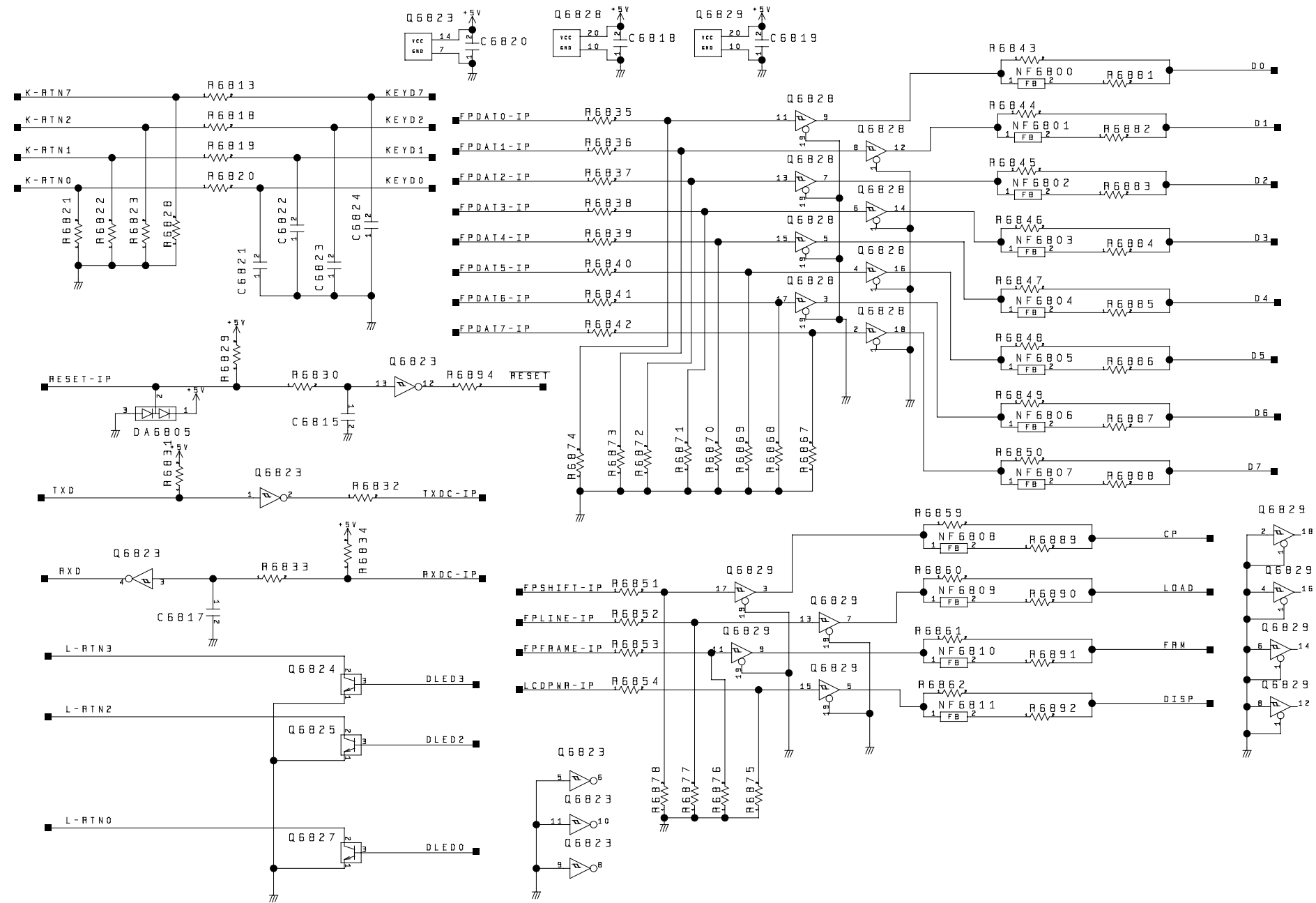


F-3-10



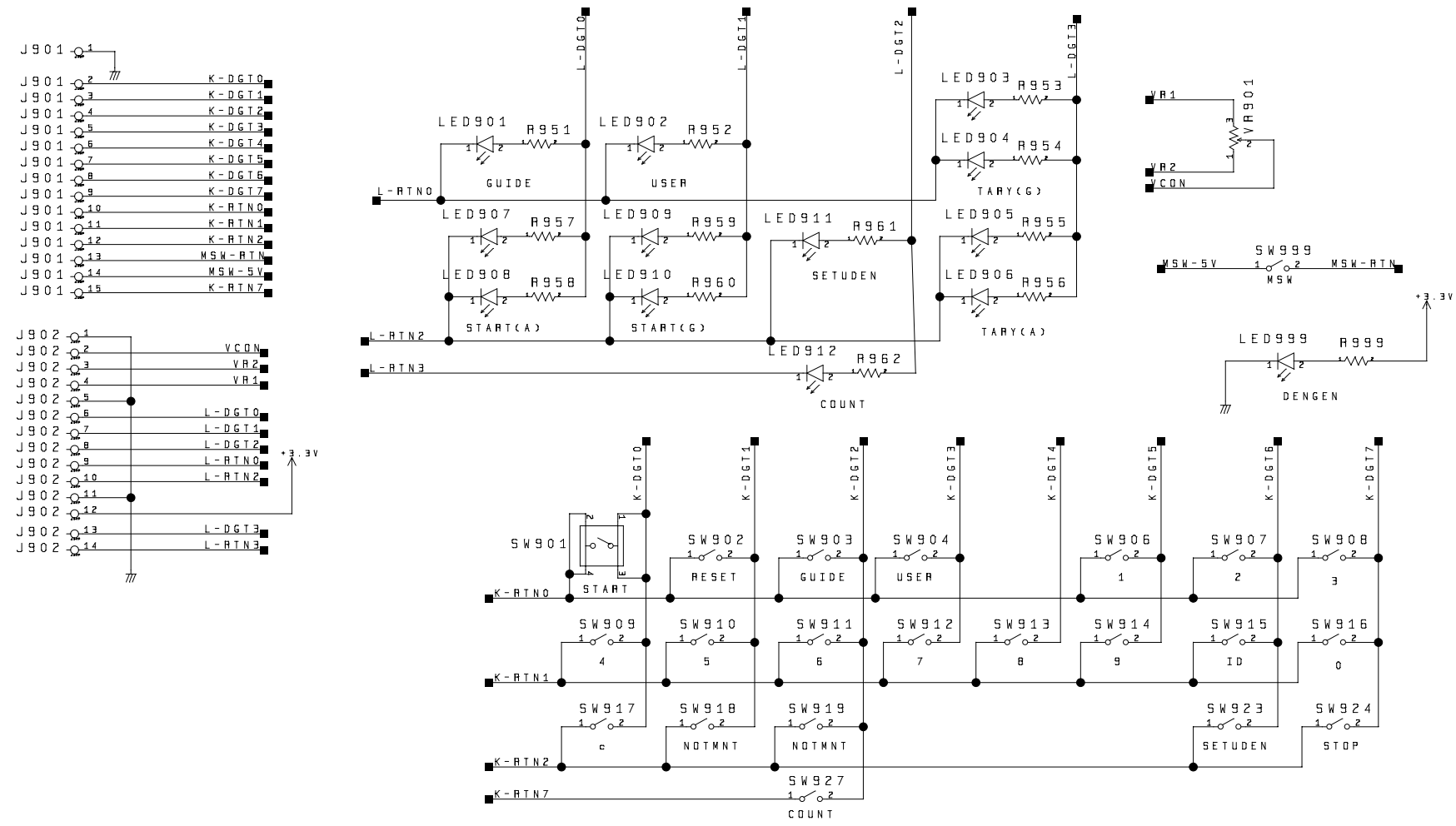
F-3-11

CONTROL PANEL CPU PCB(3/3)
iR105i/iR105+ / iR9070



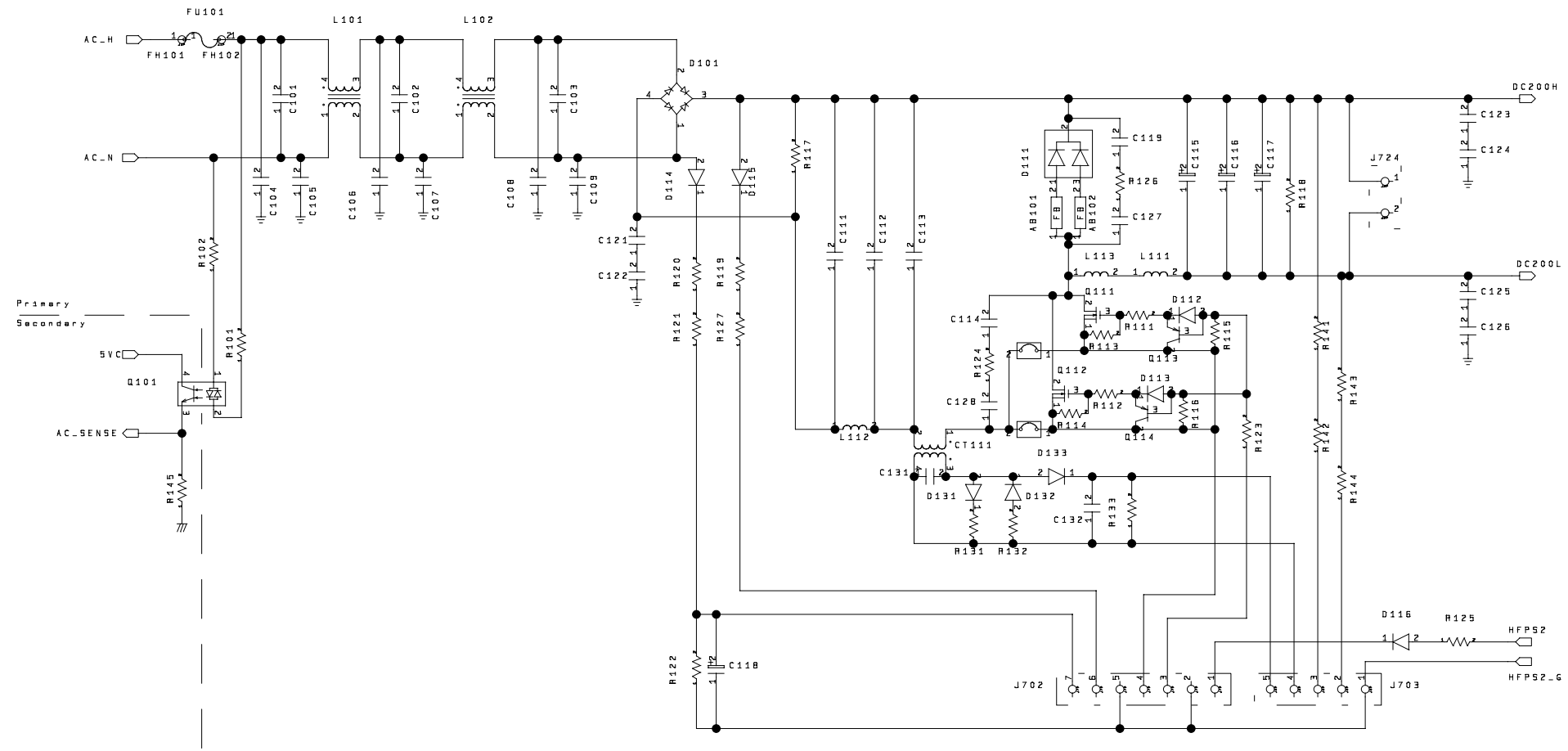
F-3-12

Panel Switch PCB
 KEYTOP PCB(1/1)
 iR105i/iR105+ / iR9070



F-3-13

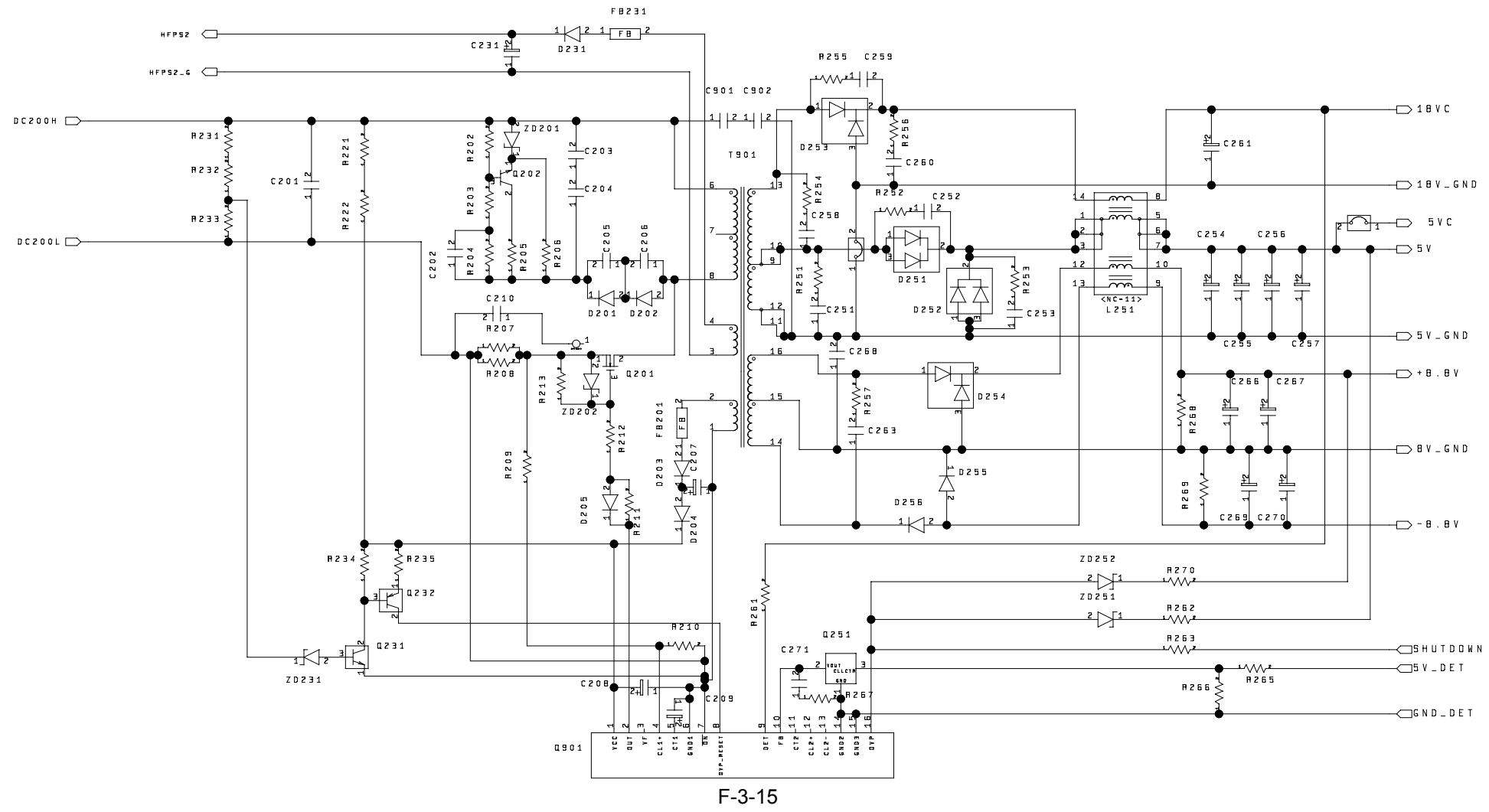
DC Power Supply PCB
 DC POWER SUPPLY MAIN PCB(200V)(1/5)
 iR105i/iR105+ / iR9070



F-3-14

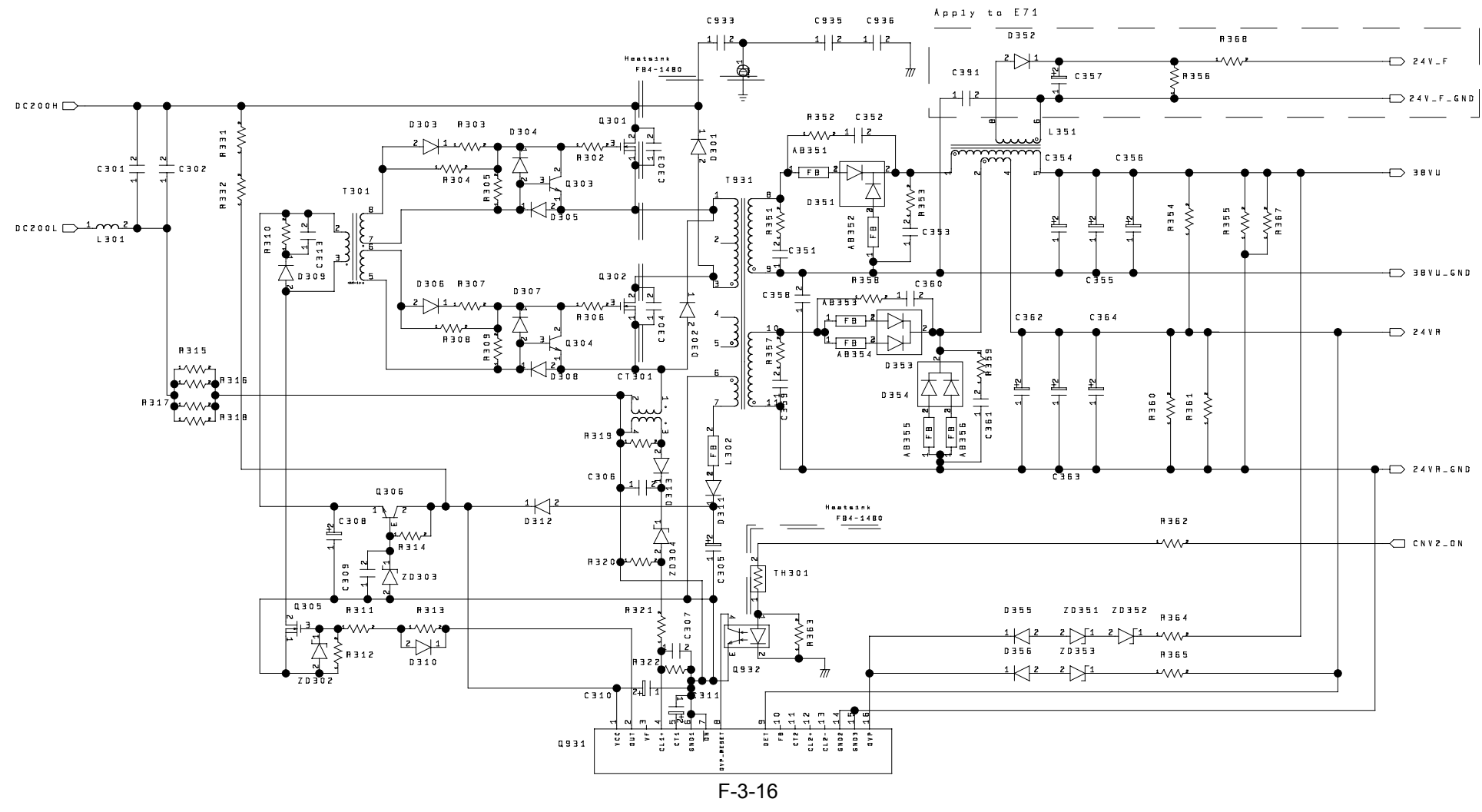
DC POWER SUPPLY MAIN PCB(200V)(2/5)

iR105i/iR105+ / iR9070



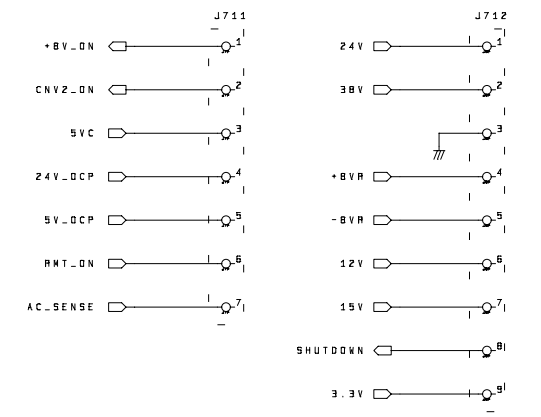
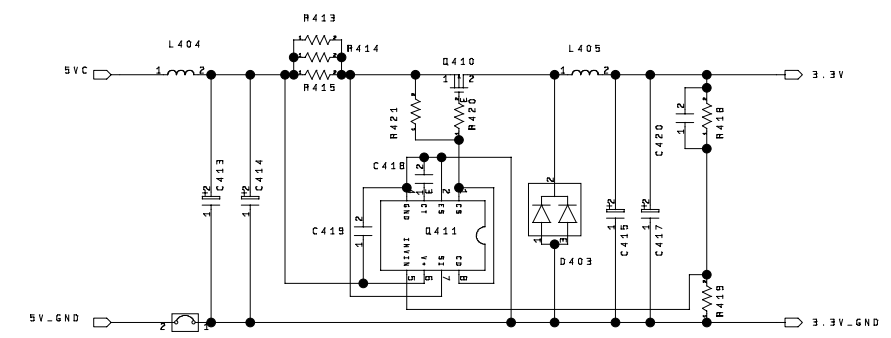
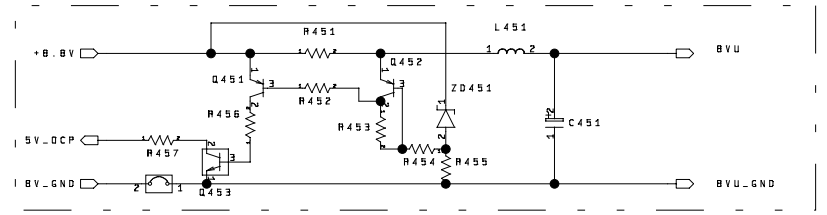
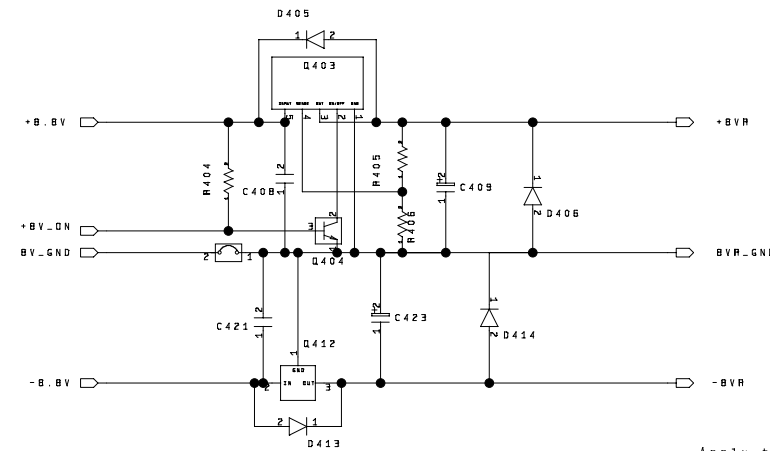
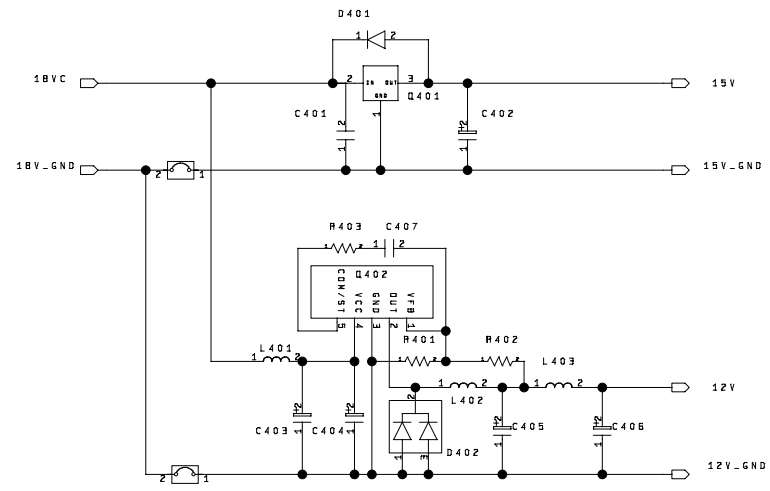
DC POWER SUPPLY MAIN PCB(200V)(3/5)

iR105i/iR105+ / iR9070



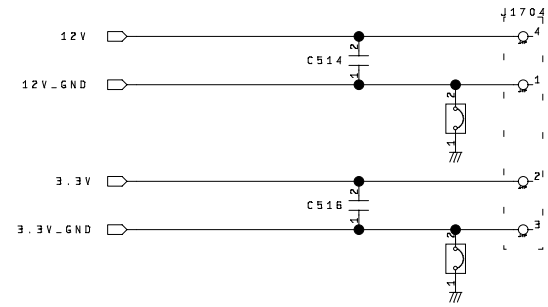
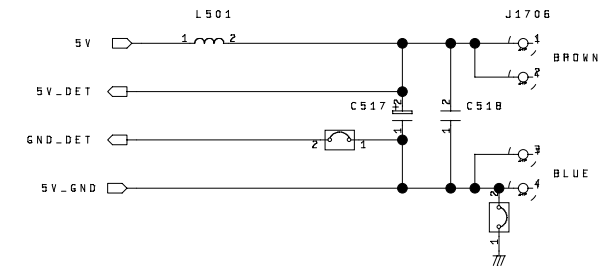
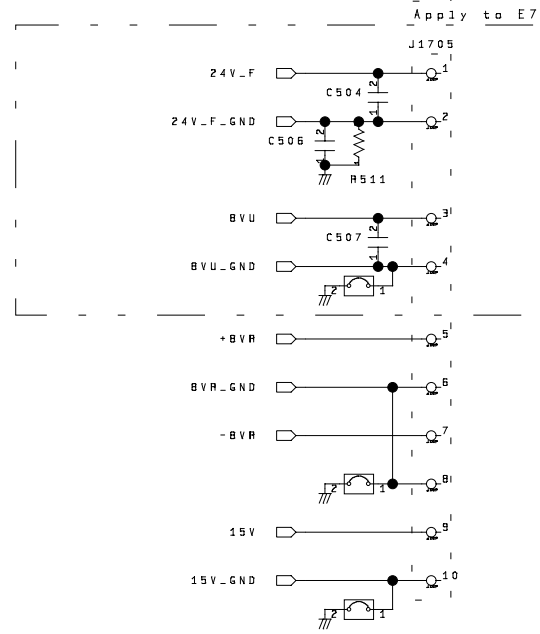
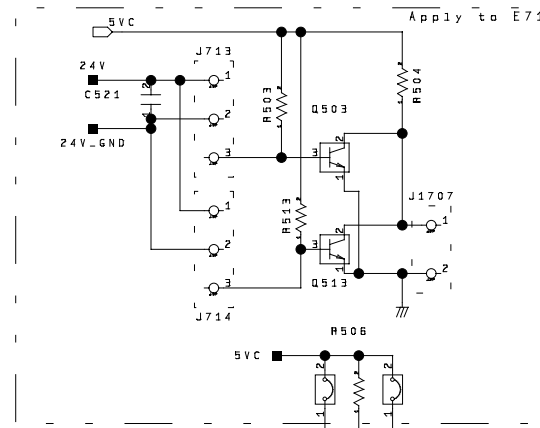
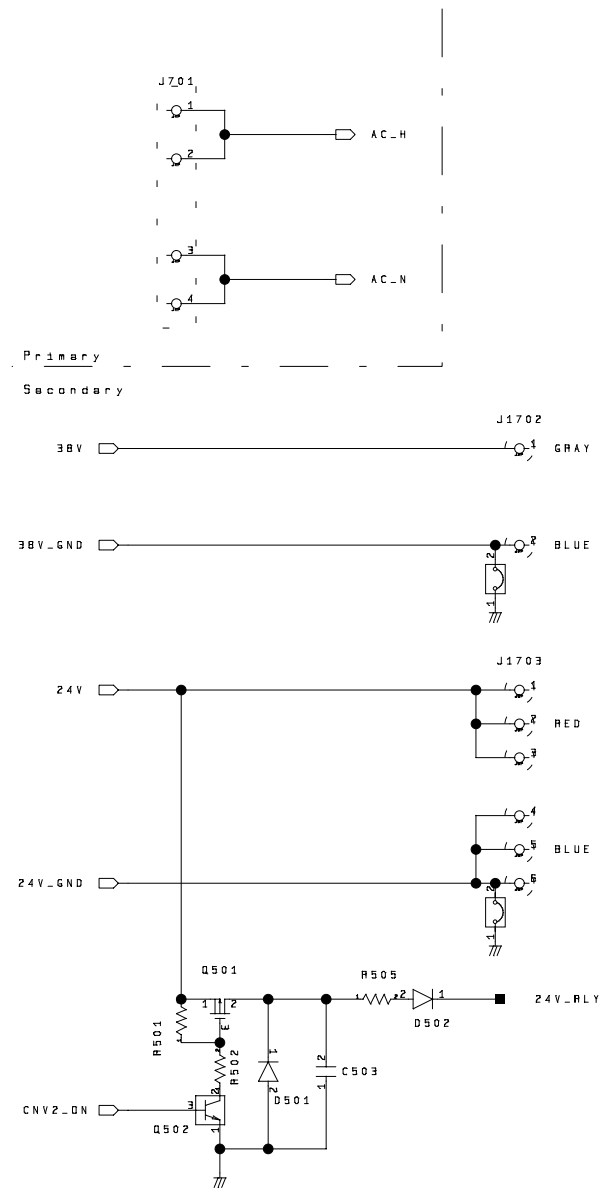
F-3-16

DC POWER SUPPLY MAIN PCB(200V)(4/5)
 iR105i/iR105+ / iR9070



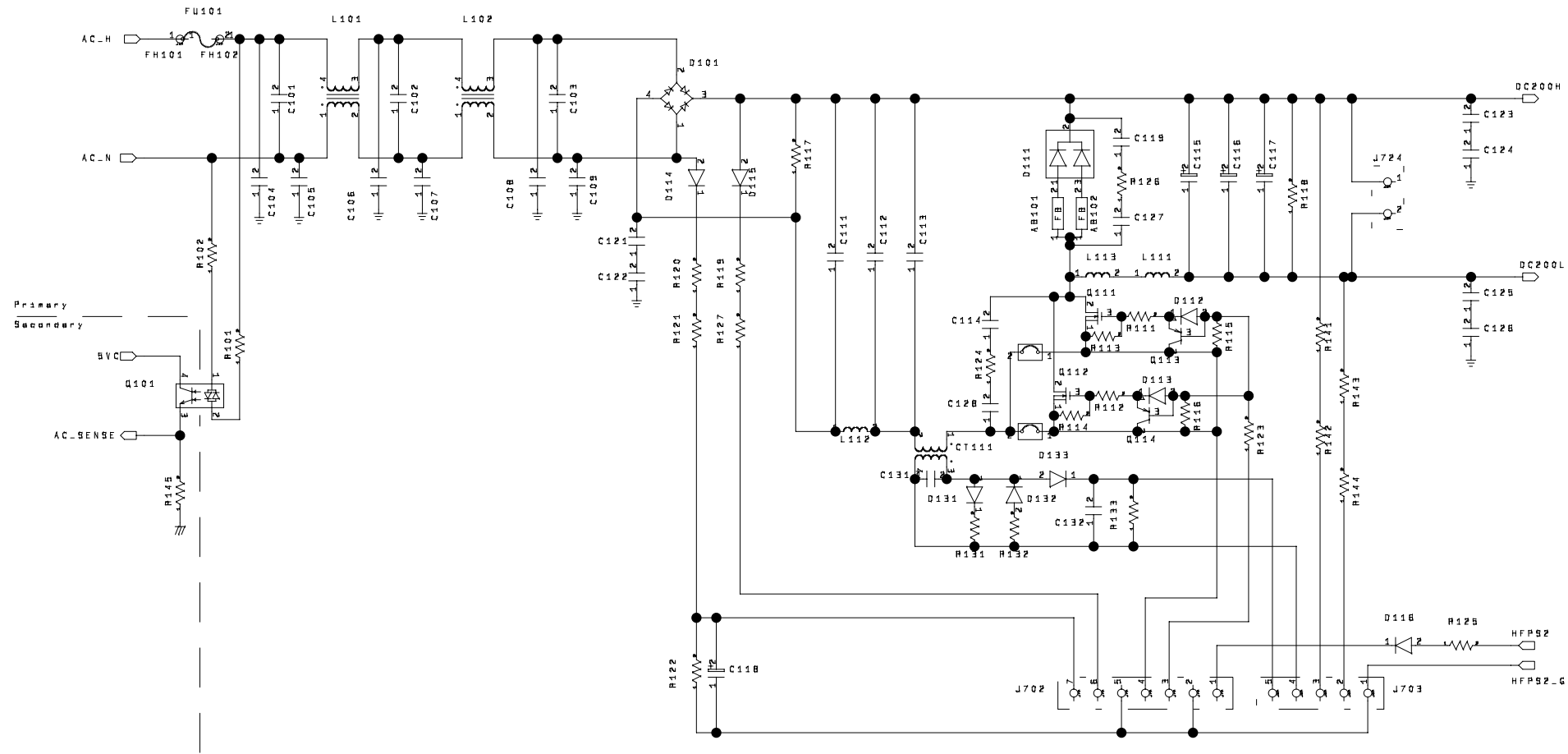
F-3-17

DC POWER SUPPLY MAIN PCB(200V)(5/5)
iR105i/iR105+ / iR9070



F-3-18

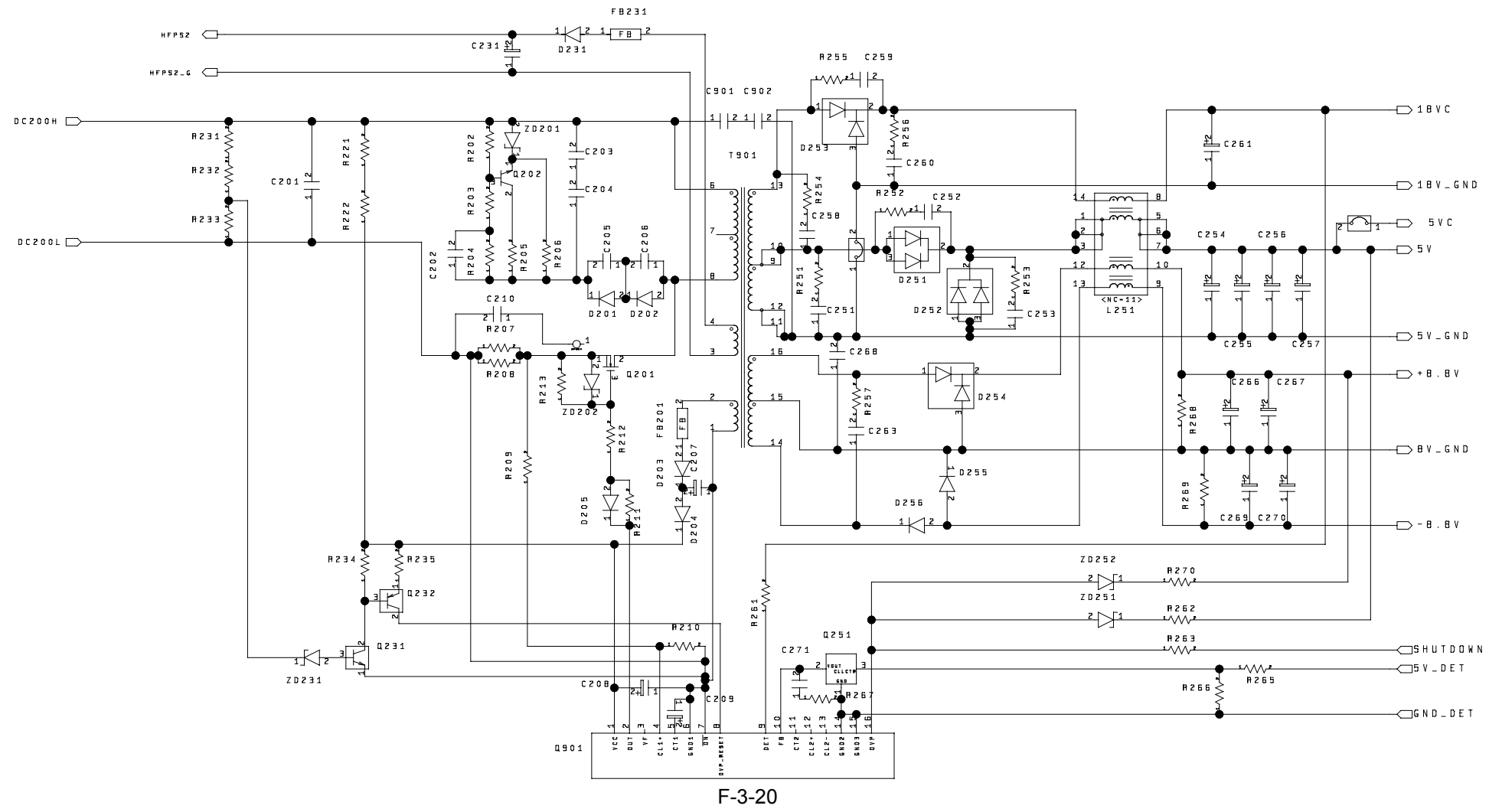
DC POWER SUPPLY MAIN PCB(208V)(1/5)
iR105i/iR105+ / iR9070



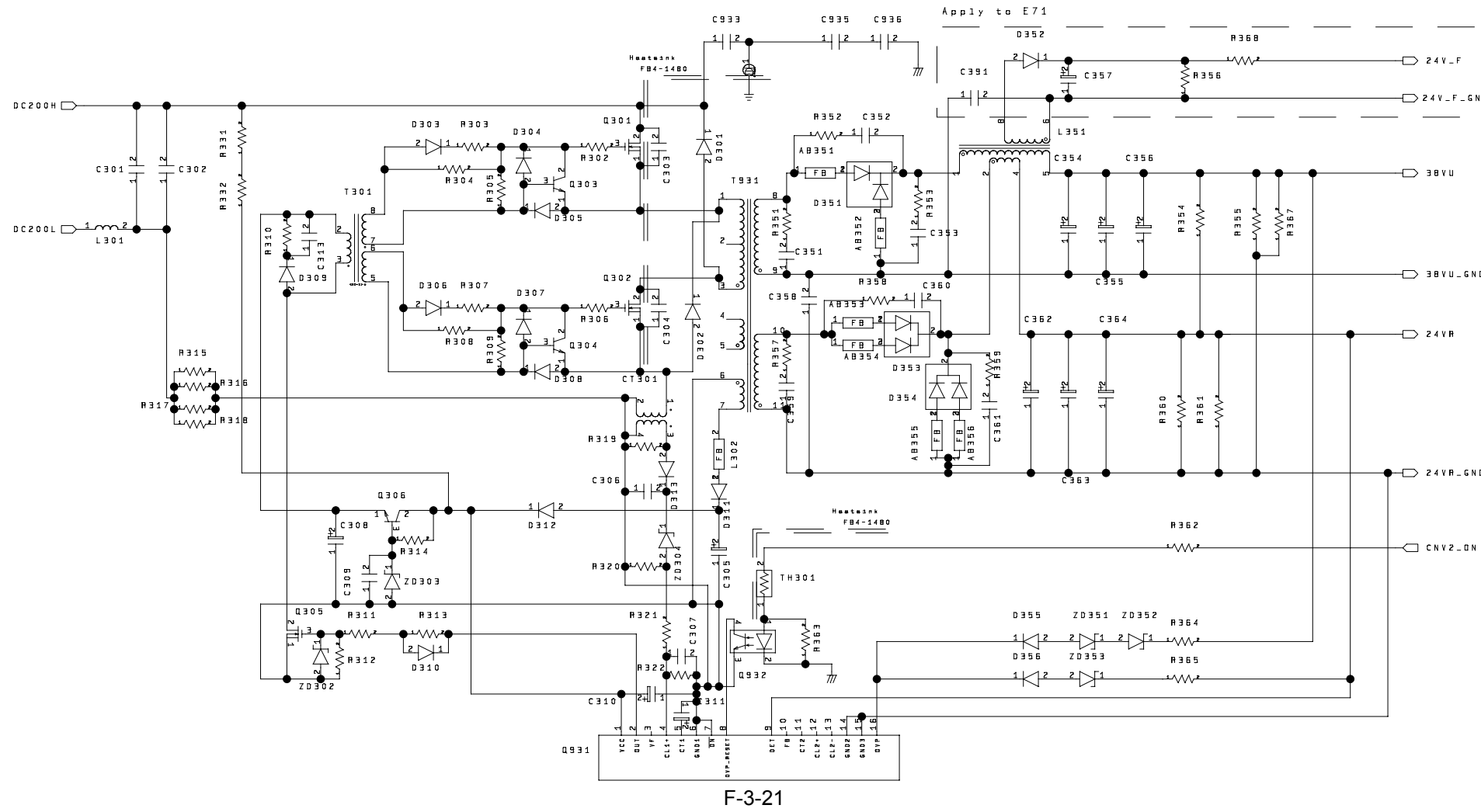
F-3-19

DC POWER SUPPLY MAIN PCB(208V)(2/5)

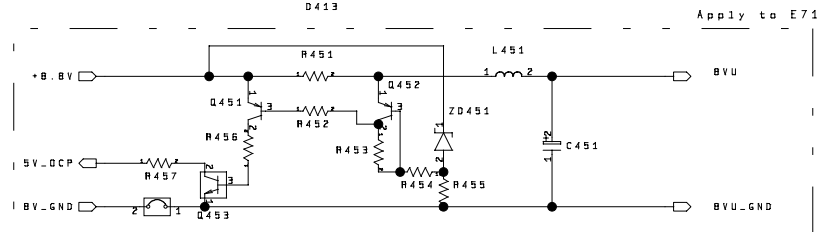
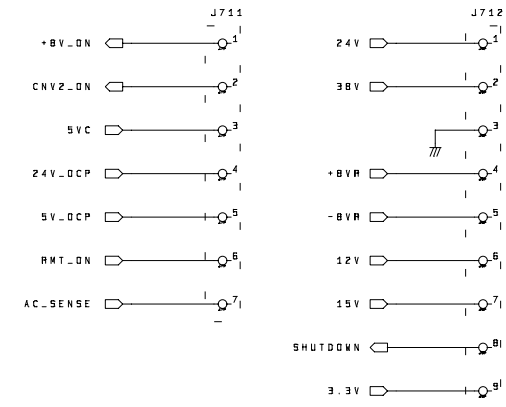
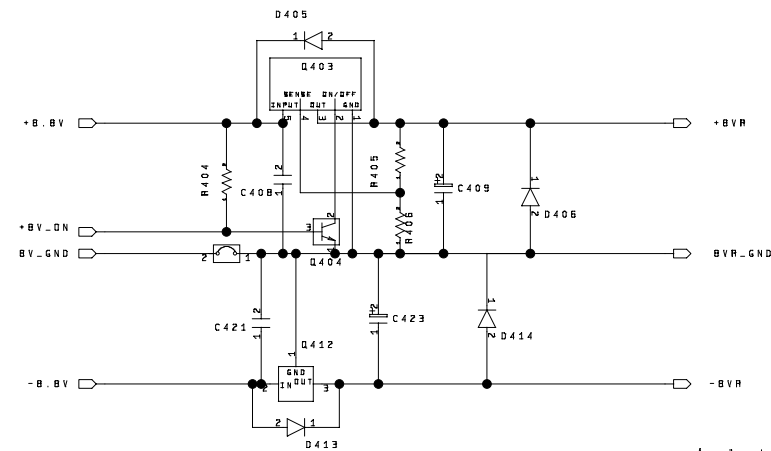
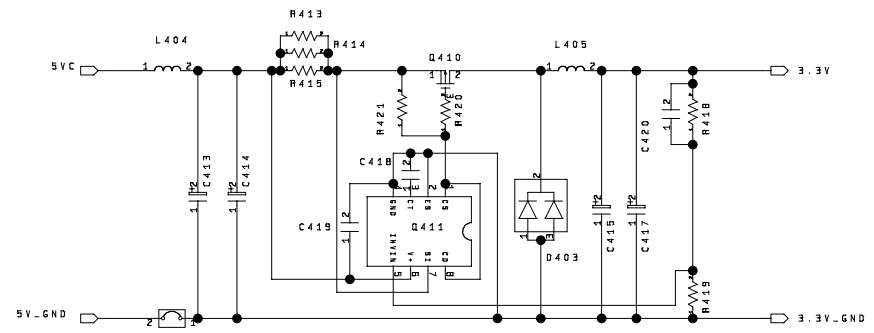
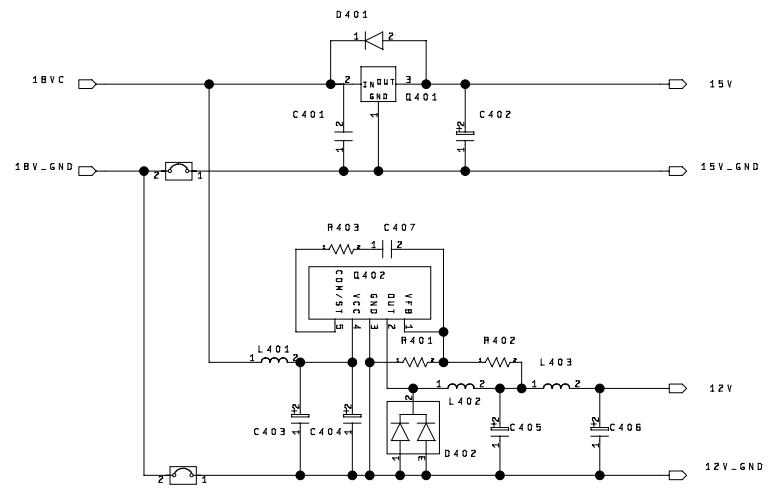
iR105i/iR105+ / iR9070



DC POWER SUPPLY MAIN PCB(208V)(3/5)
iR105i/iR105+ / iR9070

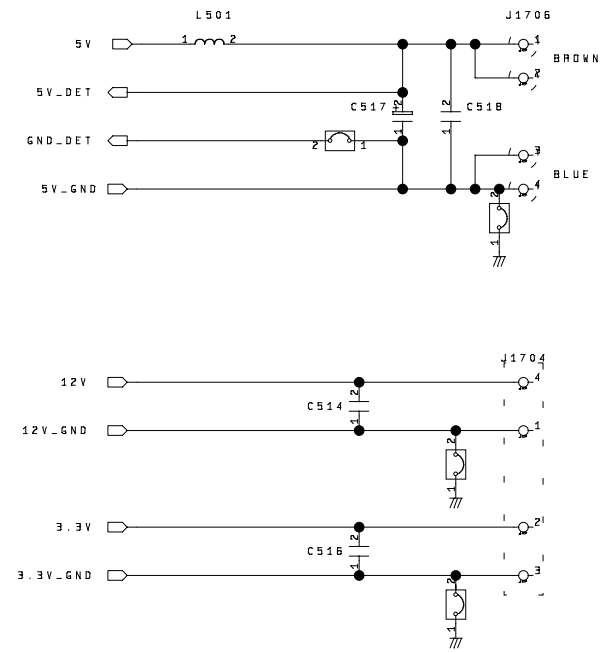
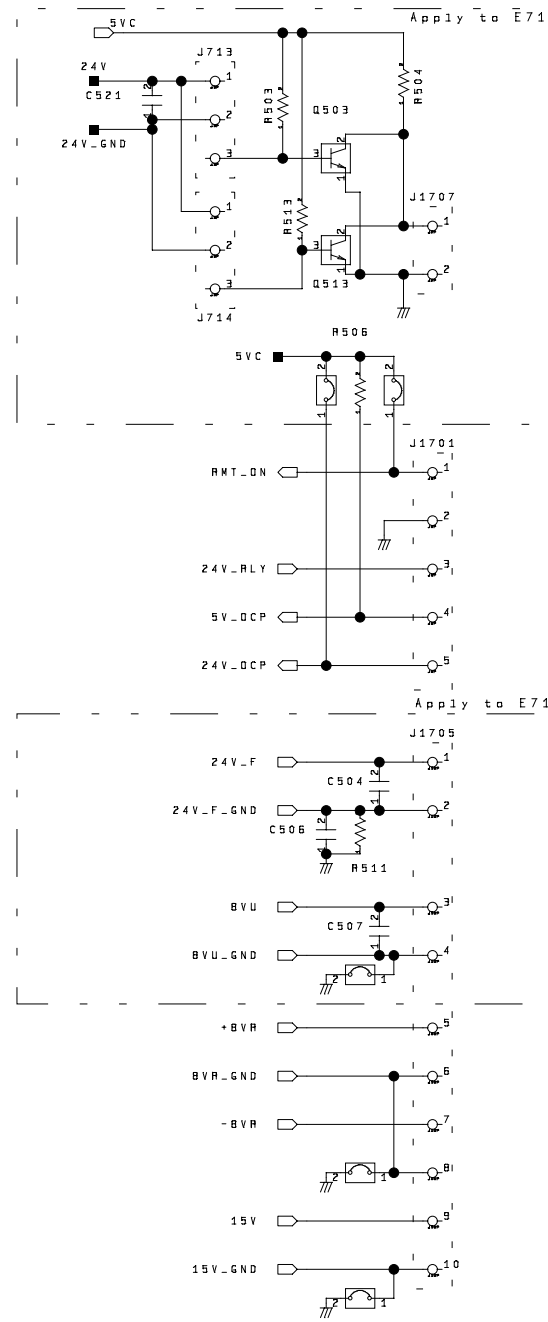
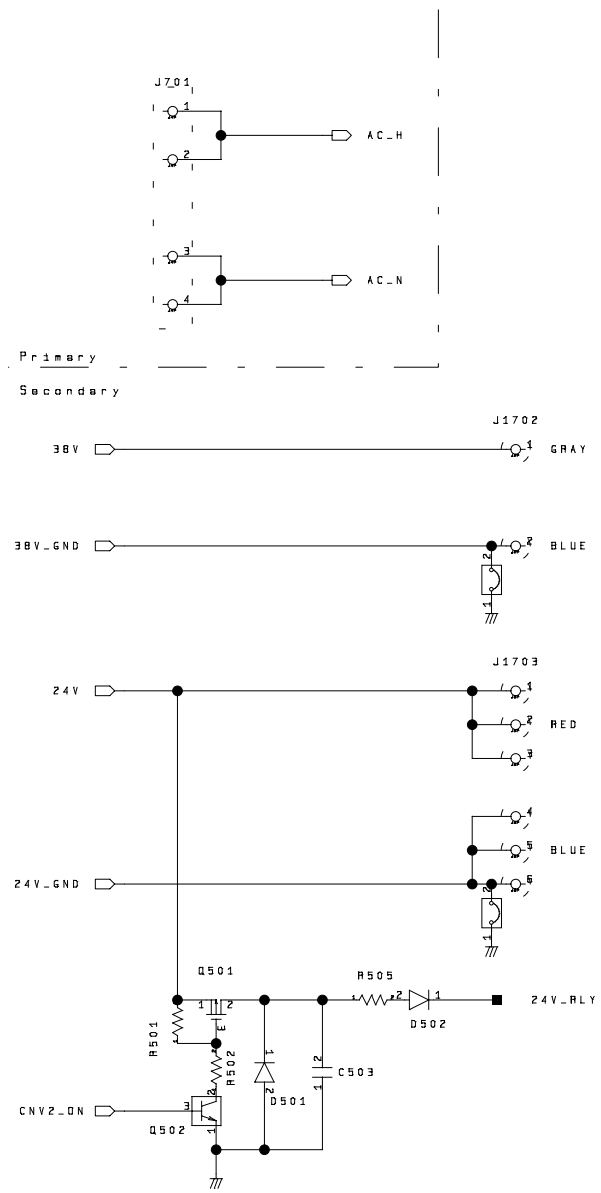


DC POWER SUPPLY MAIN PCB(208V)(4/5)
iR105i/iR105+ / iR9070



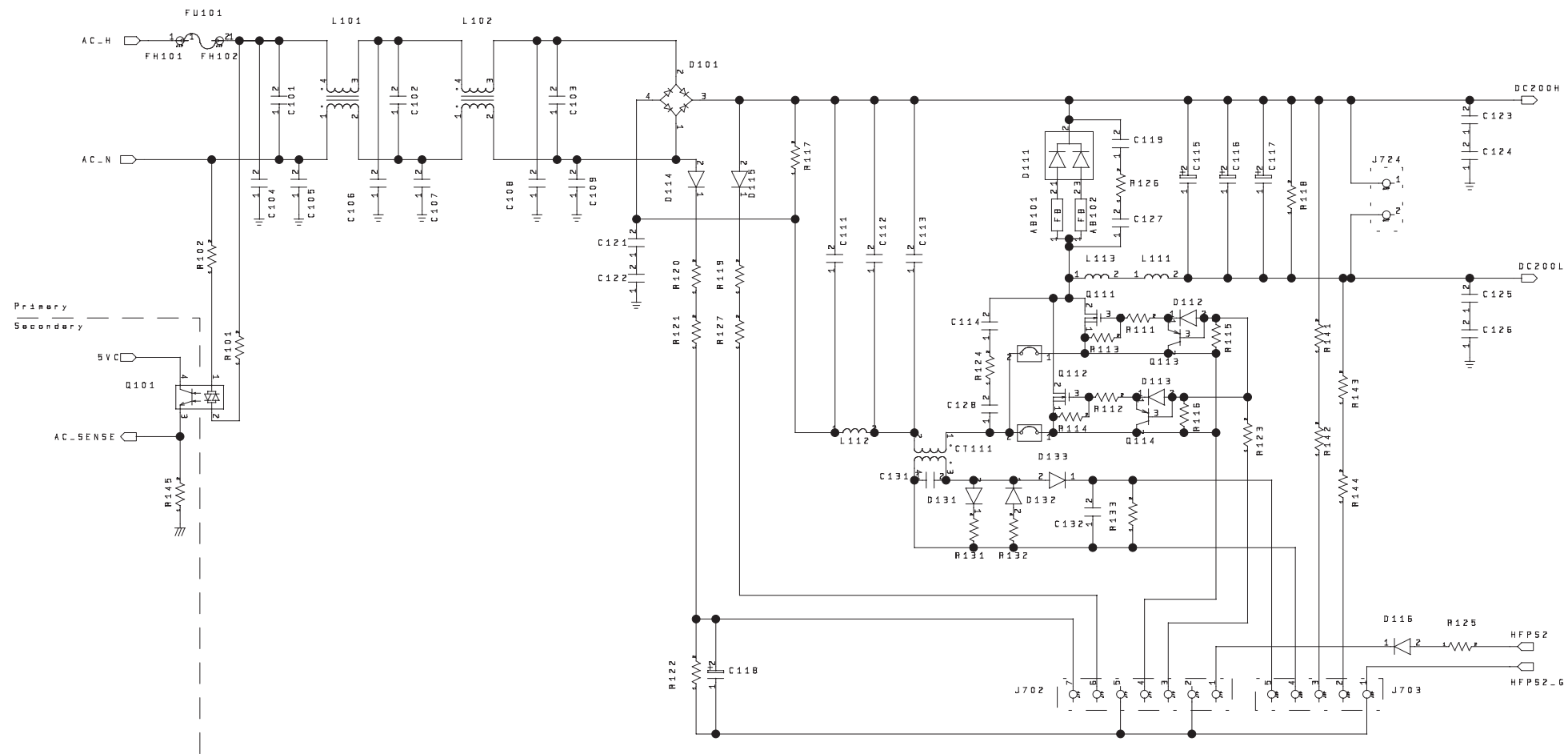
F-3-22

DC POWER SUPPLY MAIN PCB(208V)(5/5)
iR105i/iR105+ / iR9070



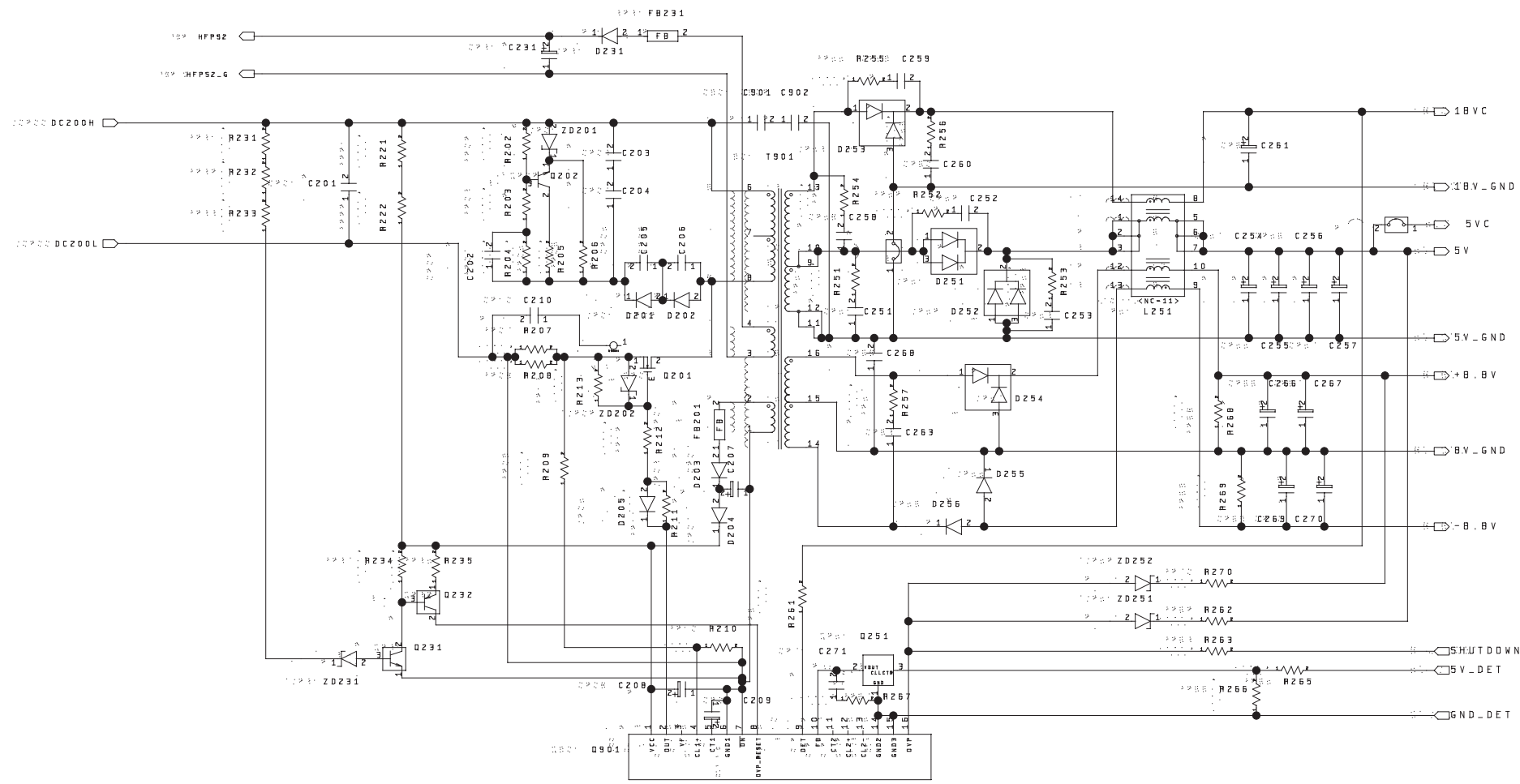
F-3-23

DC POWER SUPPLY MAIN PCB(230V)(1/5)
 iR105i/iR105+ / iR9070



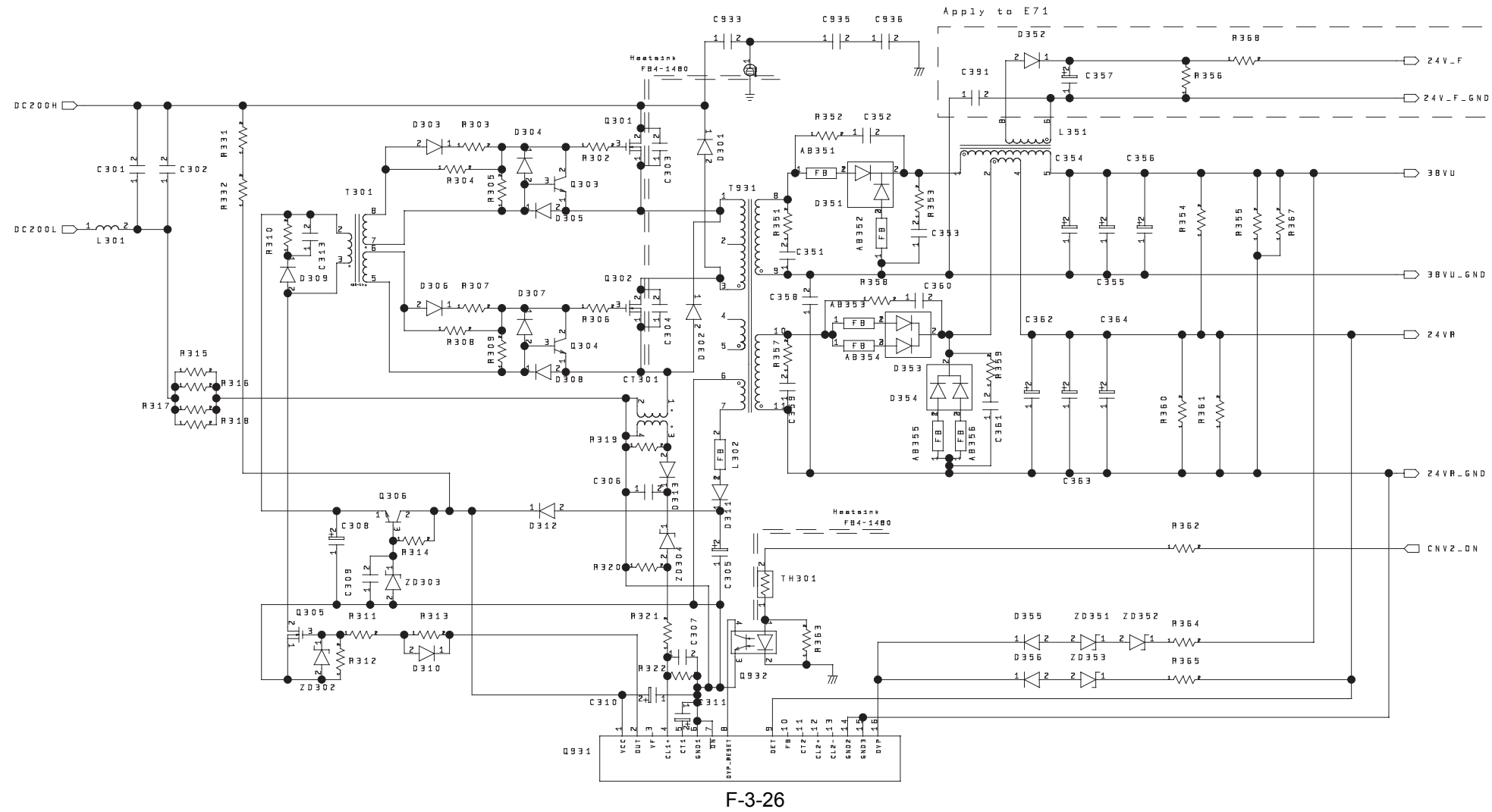
F-3-24

DC POWER SUPPLY MAIN PCB(230V)(2/5)
iR105i/iR105+ / iR9070

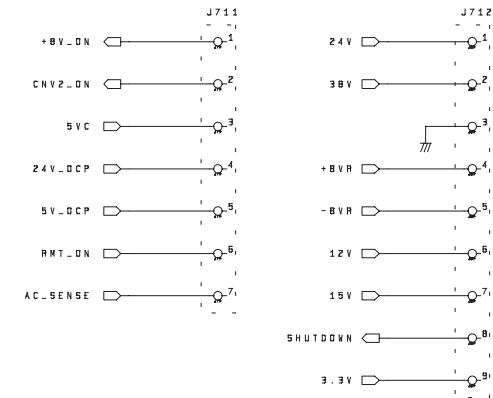
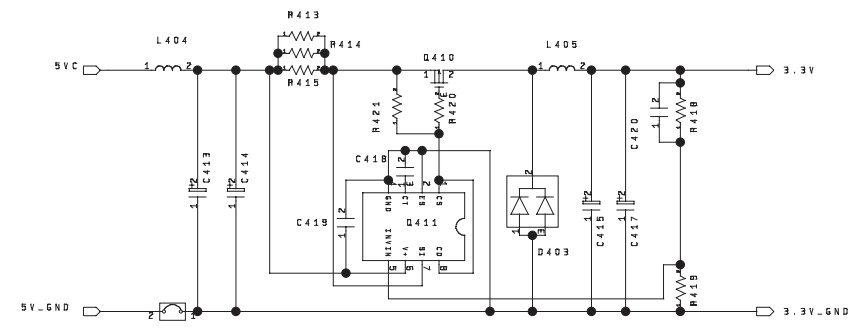
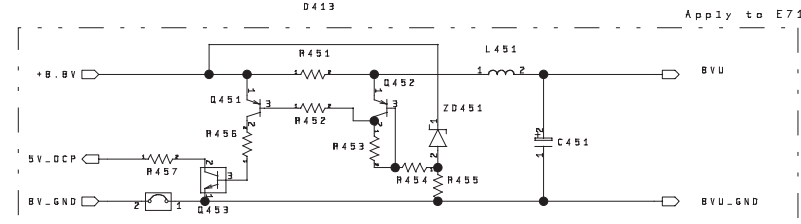
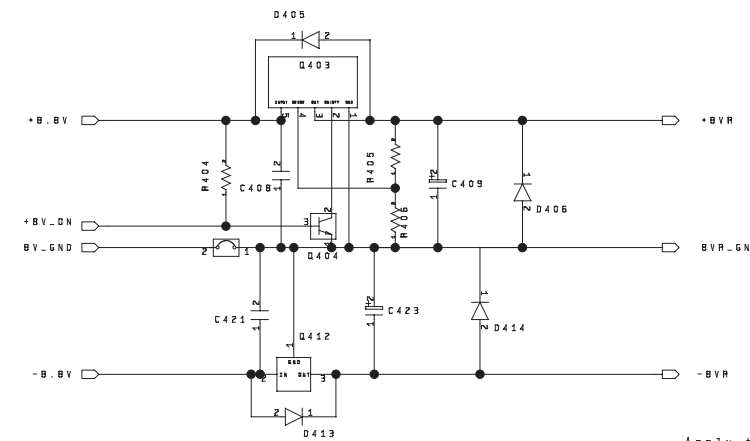
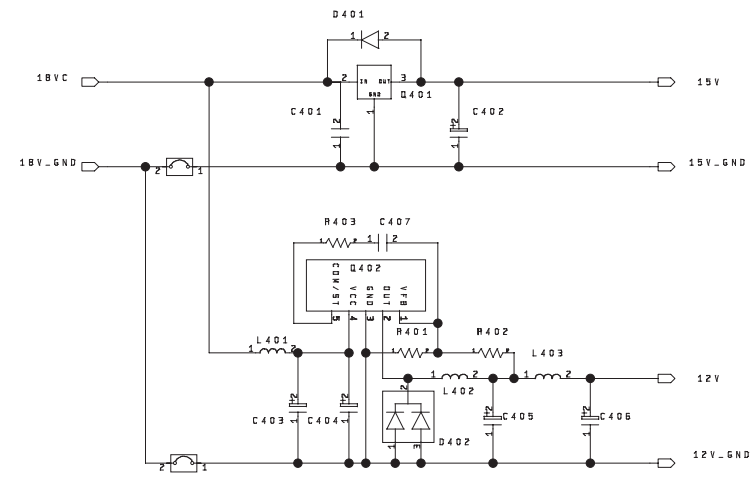


F-3-25

DC POWER SUPPLY MAIN PCB(230V)(3/5)
 iR105i/iR105+ / iR9070

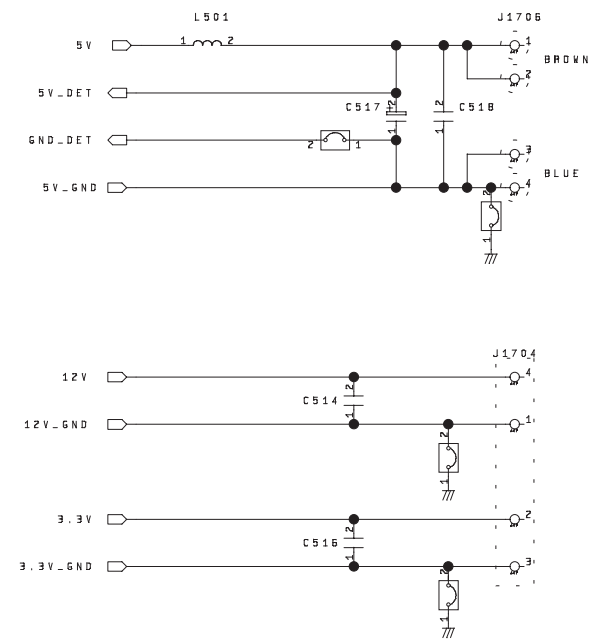
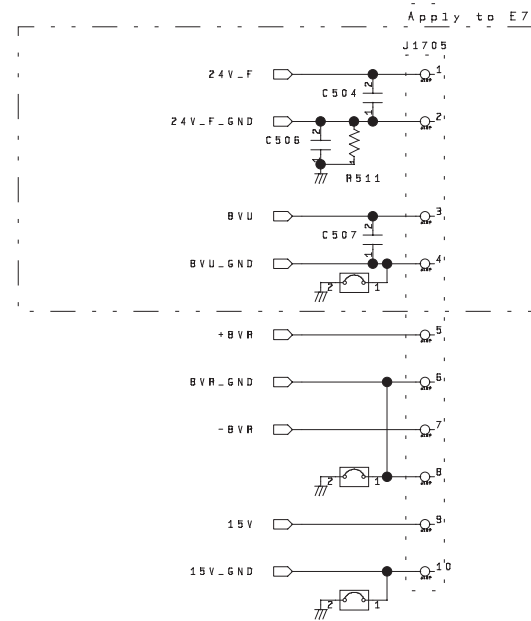
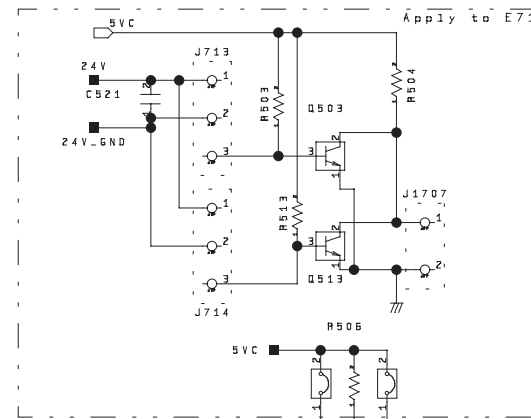
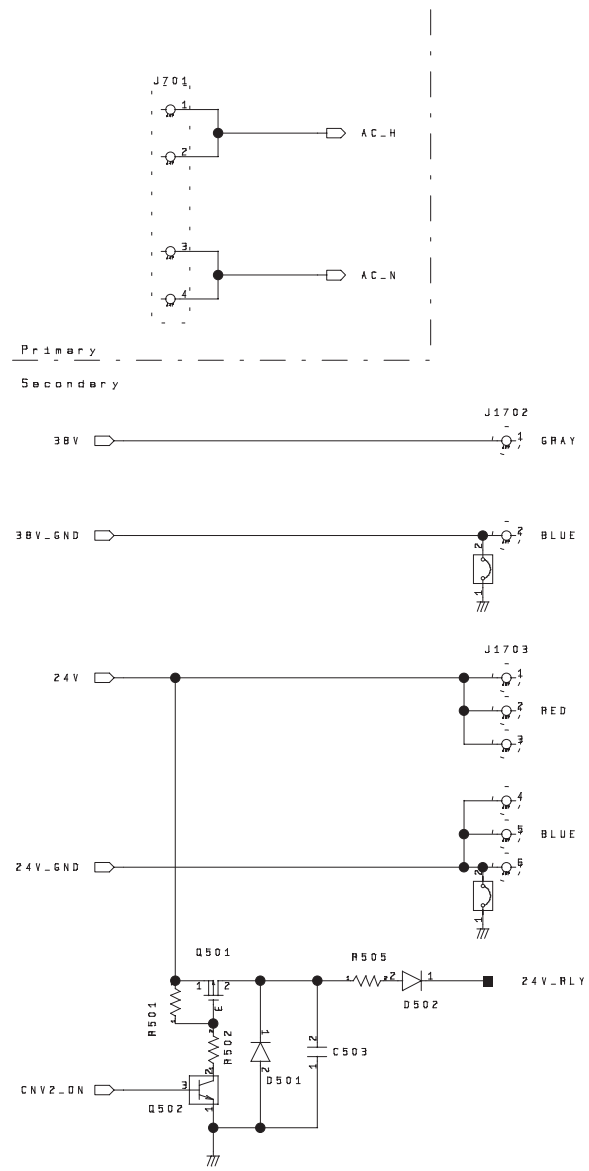


DC POWER SUPPLY MAIN PCB(230V)(4/5)
iR105i/iR105+ / iR9070



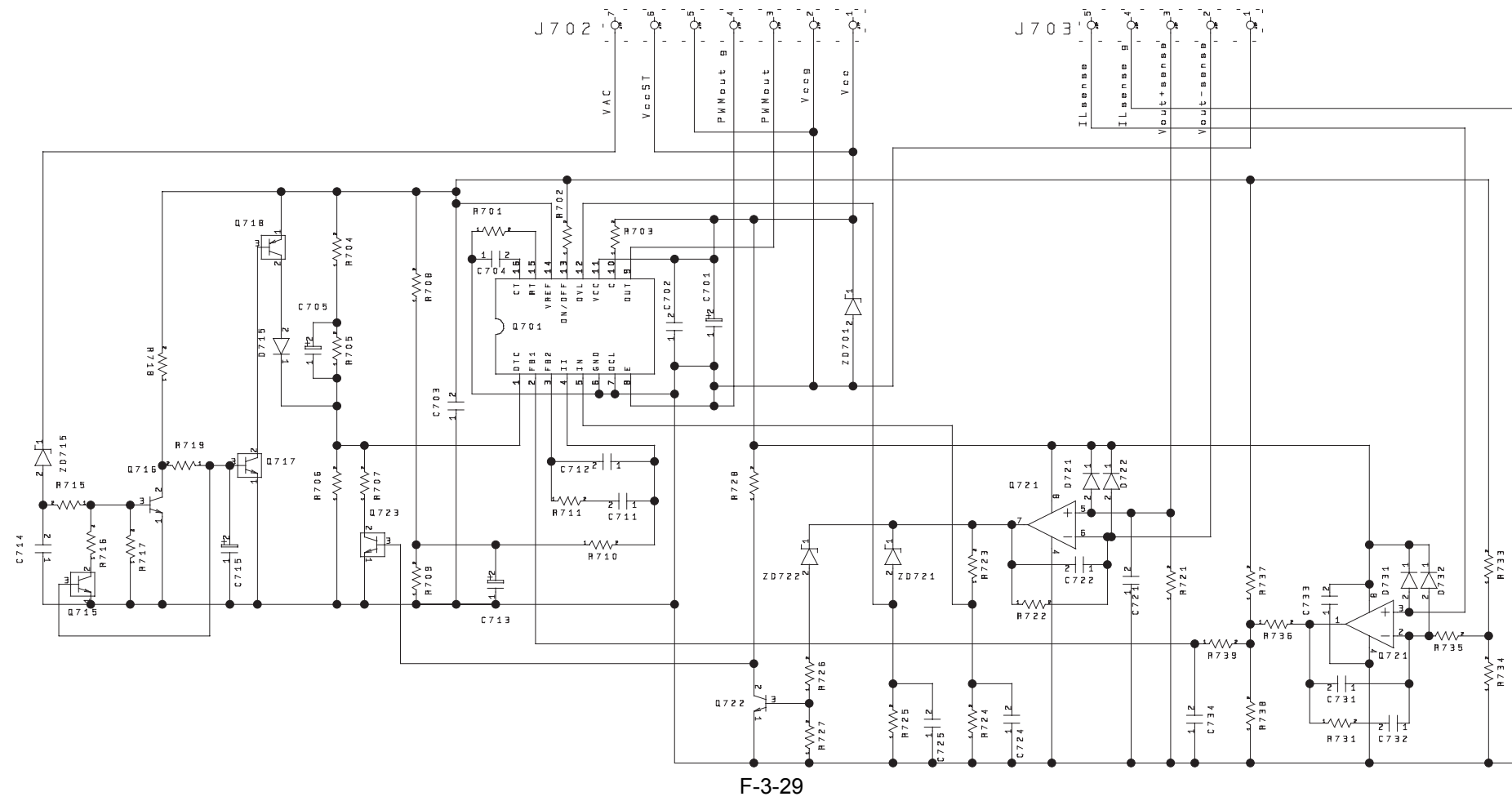
F-3-27

DC POWER SUPPLY MAIN PCB(230V)(5/5)
iR105i/iR105+ / iR9070



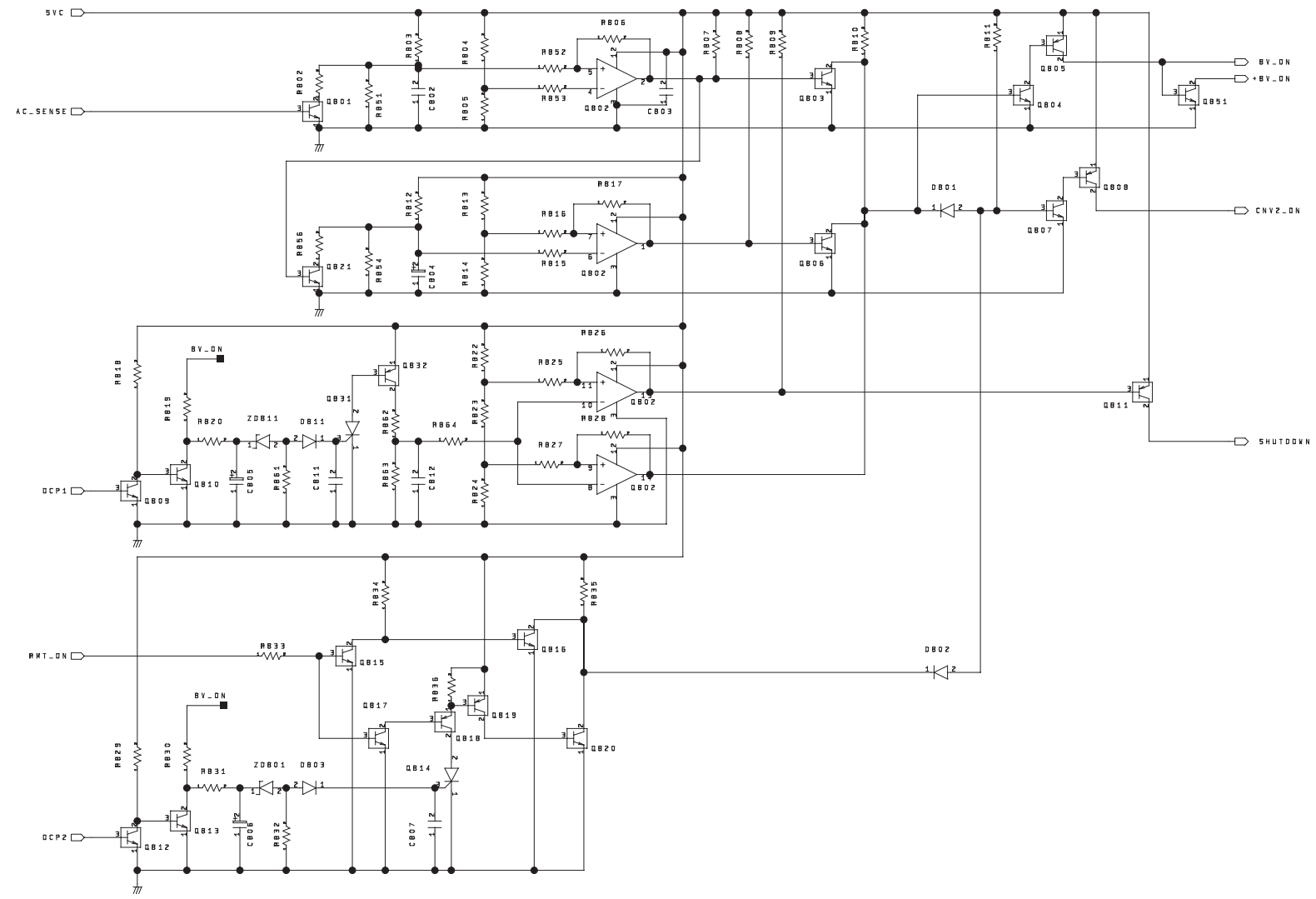
F-3-28

DC POWER SUPPLY SUB PCB1(1/1)
iR105i/iR105+ / iR9070



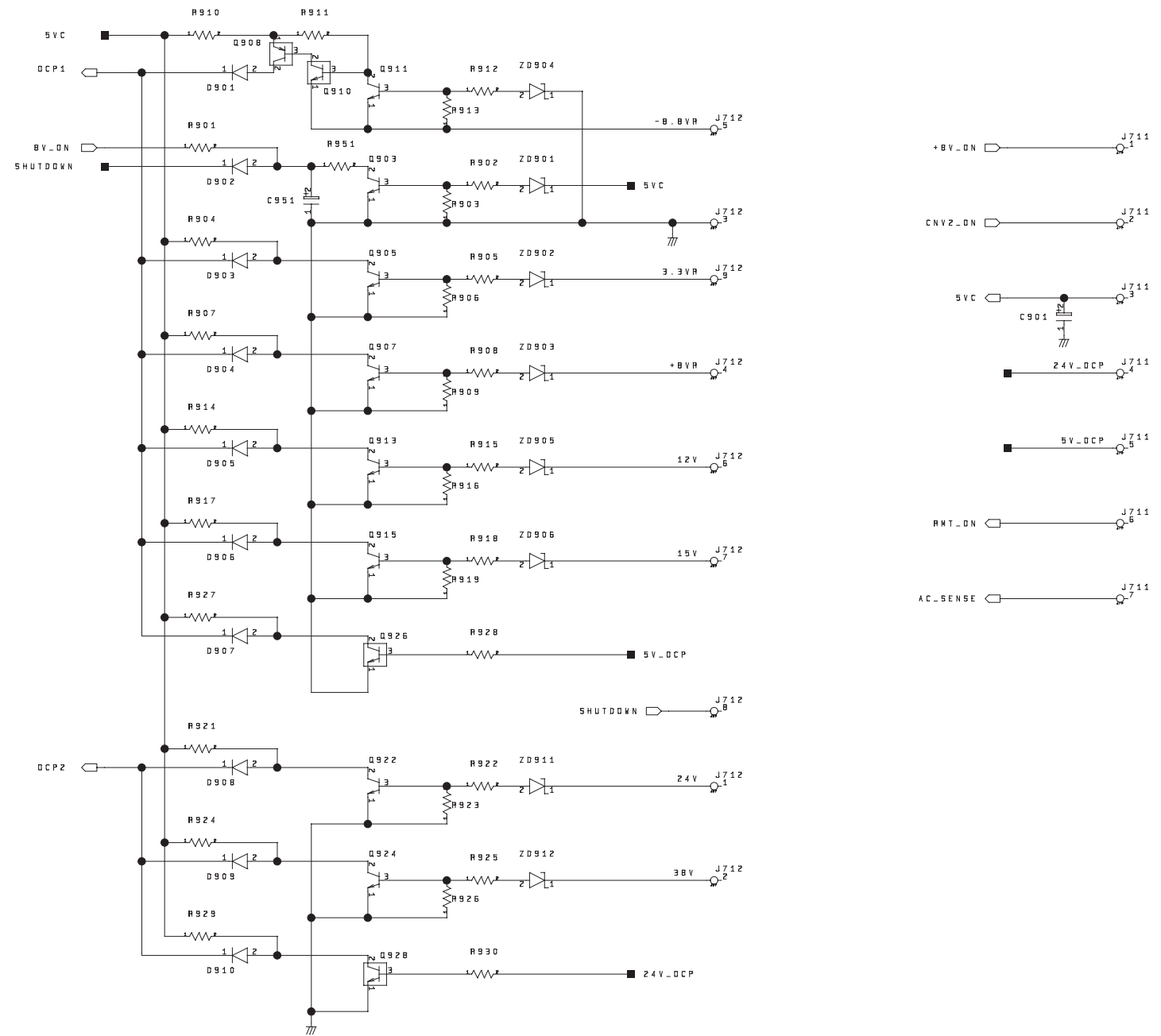
F-3-29

DC POWER SUPPLY SUB PCB2(1/2)
iR105i/iR105+ / iR9070



F-3-30

DC POWER SUPPLY SUB PCB2(2/2)
iR105i/iR105+ / iR9070



F-3-31

Jan 5 2005

Canon

